



# PERFORMANCE SERIES

## FRONT-LOADING AUTOMATIC WASHER USE & CARE GUIDE

## LAVEUSE AUTOMATIQUE À CHARGEMENT FRONTAL GUIDE D'UTILISATION ET D'ENTRETIEN

FOR QUESTIONS ABOUT FEATURES, OPERATION/PERFORMANCE, PARTS, ACCESSORIES OR SERVICE  
CALL: 1.800.688.9900  
IN CANADA, CALL: 1.800.807.6777

AU CANADA, POUR DES QUESTIONS À PROPOS DES CARACTÉRISTIQUES, DU FONCTIONNEMENT/  
RENDEMENT, DES PIÈCES, DES ACCESSOIRES OU DU SERVICE, COMPOSEZ LE : 1.800.807.6777

VISIT OUR WEBSITE AT [WWW.MAYTAG.COM](http://WWW.MAYTAG.COM)  
IN CANADA, [WWW.MAYTAG.CA](http://WWW.MAYTAG.CA)

OU VISITEZ NOTRE SITE INTERNET À  
[WWW.MAYTAG.CA](http://WWW.MAYTAG.CA)



Certified to Sanitize  
Certifié pour aseptiser



Designed to use only HE High Efficiency detergent  
Conçu pour l'utilisation d'un détergent haute efficacité seulement



## TABLE OF CONTENTS

<b>WASHER SAFETY</b> .....	<b>3</b>
<b>INSTALLATION REQUIREMENTS</b> .....	<b>4</b>
Tools and Parts .....	4
Options .....	5
Location Requirements.....	6
Drain System.....	8
Electrical Requirements.....	8
<b>INSTALLATION INSTRUCTIONS</b> .....	<b>9</b>
Remove Transport System .....	9
Connect the Inlet Hoses .....	10
Connect the Drain Hose.....	10
Secure the Drain Hose .....	11
Level the Washer.....	11
Complete Installation .....	11
<b>FEATURES AND BENEFITS</b> .....	<b>12</b>
<b>WASHER USE</b> .....	<b>13</b>
Starting Your Washer.....	14
Using the Proper Detergent .....	14
Using the Dispenser .....	15
Pausing or Restarting .....	16
Changing Cycles, Options, and Modifiers .....	16
Status Indicator .....	17
Cycles.....	17
Options .....	19
Modifiers .....	19
<b>LAUNDRY GUIDE</b> .....	<b>20</b>
<b>LAUNDRY TIPS</b> .....	<b>21</b>
Loading .....	21
<b>WASHER CARE</b> .....	<b>22</b>
Cleaning Your Washer .....	22
Water Inlet Hoses.....	23
Vacation, Storage, and Moving Care .....	23
<b>TROUBLESHOOTING</b> .....	<b>24</b>
<b>ASSISTANCE OR SERVICE</b> .....	<b>27</b>
In the U.S.A. ....	27
In Canada .....	27
<b>WARRANTY</b> .....	<b>28</b>

## TABLE DES MATIÈRES

<b>SÉCURITÉ DE LA LAVEUSE</b> .....	<b>29</b>
<b>EXIGENCES D'INSTALLATION</b> .....	<b>30</b>
Outillage et pièces.....	30
Options .....	31
Exigences d'emplacement.....	32
Système de vidange.....	34
Spécifications électriques .....	34
<b>INSTRUCTIONS D'INSTALLATION</b> .....	<b>35</b>
Élimination des accessoires de transport.....	35
Raccordement des tuyaux d'alimentation.....	36
Raccordement du tuyau de vidange .....	36
Immobilisation du tuyau de vidange .....	37
Réglage de l'aplomb de la laveuse .....	37
Achever l'installation.....	38
<b>CARACTÉRISTIQUES ET AVANTAGES</b> .....	<b>38</b>
<b>UTILISATION DE LA LAVEUSE</b> .....	<b>40</b>
Mise en marche de la laveuse .....	40
Utilisation du détergent approprié.....	40
Utilisation du distributeur.....	41
Pause ou remise en marche.....	43
Changement des programmes, options et modificateurs .....	43
Témoins lumineux.....	43
Programmes .....	44
Options .....	46
Modificateurs .....	46
<b>GUIDE DE LESSIVAGE</b> .....	<b>47</b>
<b>CONSEILS DE LESSIVAGE</b> .....	<b>48</b>
Chargement.....	49
<b>ENTRETIEN DE LA LAVEUSE</b> .....	<b>49</b>
Nettoyage de la laveuse .....	49
Tuyaux d'arrivée d'eau.....	50
Précautions à prendre avant les vacances, un entreposage ou un déménagement .....	50
<b>DÉPANNAGE</b> .....	<b>51</b>
<b>ASSISTANCE OU SERVICE</b> .....	<b>54</b>
Aux États-Unis .....	54
Au Canada .....	55
<b>GARANTIE</b> .....	<b>55</b>

# WASHER SAFETY

## Your safety and the safety of others are very important.

We have provided many important safety messages in this manual and on your appliance. Always read and obey all safety messages.



This is the safety alert symbol.

This symbol alerts you to potential hazards that can kill or hurt you and others.

All safety messages will follow the safety alert symbol and either the word “DANGER” or “WARNING.”  
These words mean:

 **DANGER**

**You can be killed or seriously injured if you don't immediately follow instructions.**

 **WARNING**

**You can be killed or seriously injured if you don't follow instructions.**

All safety messages will tell you what the potential hazard is, tell you how to reduce the chance of injury, and tell you what can happen if the instructions are not followed.

## IMPORTANT SAFETY INSTRUCTIONS

**WARNING:** To reduce the risk of fire, electric shock, or injury to persons when using the washer, follow basic precautions, including the following:

- Read all instructions before using the washer.
- Do not wash articles that have been previously cleaned in, washed in, soaked in, or spotted with gasoline, dry-cleaning solvents, other flammable, or explosive substances as they give off vapors that could ignite or explode.
- Do not add gasoline, dry-cleaning solvents, or other flammable, or explosive substances to the wash water. These substances give off vapors that could ignite or explode.
- Under certain conditions, hydrogen gas may be produced in a hot water system that has not been used for 2 weeks or more. **HYDROGEN GAS IS EXPLOSIVE.** If the hot water system has not been used for such a period, before using the washing machine, turn on all hot water faucets and let the water flow from each for several minutes. This will release any accumulated hydrogen gas. As the gas is flammable, do not smoke or use an open flame during this time.
- Do not allow children to play on or in the washer. Close supervision of children is necessary when the washer is used near children.
- Before the washer is removed from service or discarded, remove the door or lid.
- Do not reach into the washer if the drum, tub or agitator is moving.
- Do not install or store the washer where it will be exposed to the weather.
- Do not tamper with controls.
- Do not repair or replace any part of the washer or attempt any servicing unless specifically recommended in this manual or in published user-repair instructions that you understand and have the skills to carry out.
- See “Electrical Requirements” for grounding instructions.

**SAVE THESE INSTRUCTIONS**

State of California Proposition 65 Warnings:

WARNING: This product contains a chemical known to the State of California to cause cancer.

WARNING: This product contains a chemical known to the State of California to cause birth defects or other reproductive harm.

## INSTALLATION REQUIREMENTS

### Tools and Parts

Gather the required tools and parts before starting installation. The parts supplied are in the washer drum.

#### Tools needed for connecting the water inlet hoses

- Pliers (that open to 1<sup>9</sup>/<sub>16</sub>" [39.5 mm])
- Flashlight (optional)

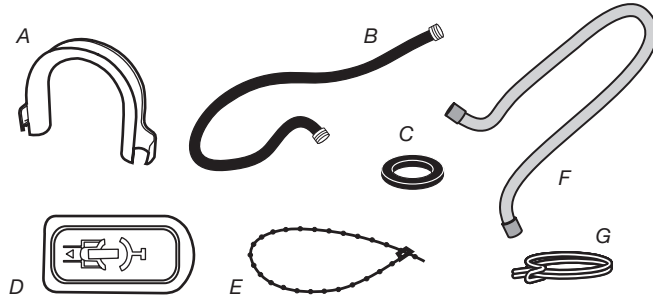
#### Tools needed for connecting the drain hose

- Locking pliers (that open to 1<sup>9</sup>/<sub>16</sub>" [39.5 mm])

## Tools needed for installation

- Open end wrenches 17 mm and 13 mm
- Level
- Wood block
- Ruler or measuring tape

## Parts supplied:



- A. Drain hose form  
 B. Inlet hose (2)  
 C. Inlet hose washers (4)  
 D. Transport bolt hole plug (4)  
 E. Beaded strap  
 F. Drain hose  
 G. Hose clamp

## Alternate Parts

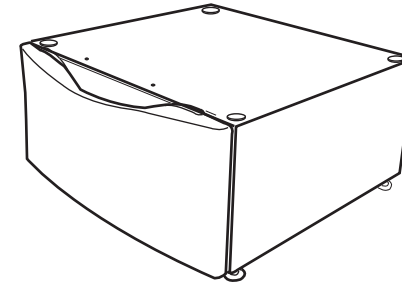
Your installation may require additional parts. If you are interested in purchasing one of the items listed here, call the toll-free number on the cover or in the “Assistance or Service” section.

If You Have	You Will Need to Buy
Laundry tub or standpipe taller than 96" (2.4 m)	Sump pump system (if not already available)
Overhead sewer	Standard 20 gal. (76 L), 30" (762 mm) tall drain tub or utility sink and sump pump (available from local plumbing suppliers)
Floor drain	Siphon break, Part Number 285834; additional drain hose Part Number 8318155; and connector kit, Part Number 285835
Drain hose too short	4 ft (1.2 m) drain hose extension kit, Part Number 285863
Water faucets beyond reach of fill hoses	2 longer water fill hoses: 6 ft (1.8 m) Part Number 76314, 10 ft (3.0 m) Part Number 350008

## Options

### Pedestal

A pedestal will add to the total height of the washer for a total height of 53.5" (1359 mm).



Optional pedestal

This pedestal is available in several colors.

To order, call the dealer from whom you purchased your washer or refer to the “Assistance or Service” section.

Pedestal Height	Color	Part Number
10" (254 mm)	White	MHP1000SQ
10" (254 mm)	Black	MHP1000SB
15.5" (394 mm)	White	XHP1550VW
15.5" (394 mm)	Black	XHP1550VB
15.5" (394 mm)	Slate	XHP1550VE
15.5" (394 mm)	Crimson Red	XHP1550VF
15.5" (394 mm)	Oxide	XHP1550VJ
15.5" (394 mm)	Evergreen	XHP1550VP

### Stack Kit

Are you planning to stack your Maytag washer and dryer? To do so you will need to purchase a Stack Kit.

To order, call the dealer from whom you purchased your dryer or refer to the “Assistance or Service” section. Ask for Part Number 8212640.

## Location Requirements

Selecting the proper location for your washer improves performance and minimizes noise and possible washer “walk.”

Your washer can be installed under a custom counter, or in a basement, laundry room, closet, or recessed area. See “Drain System.”

Companion appliance location requirements should also be considered. Proper installation is your responsibility.

### You will need

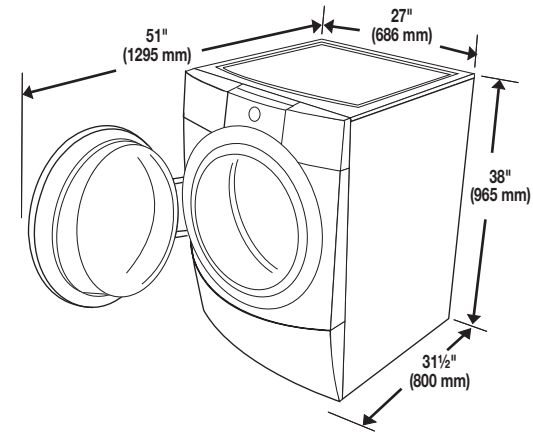
- A water heater set to deliver 120°F (49°C) water to the washer.
- A grounded electrical outlet located within 6 ft (1.8 m) of where the power cord is attached to the back of the washer. See “Electrical Requirements.”
- Hot and cold water faucets located within 4 ft (1.2 m) of the hot and cold water fill valves, and water pressure of 20-100 psi (137.9-689.6 kPa).
- A level floor with a maximum slope of 1" (25 mm) under entire washer. Installing the washer on soft floor surfaces, such as carpets or surfaces with foam backing, is not recommended.
- A sturdy and solid floor to support the washer with a total weight (water and load) of 400 lbs (180 kg).

Do not operate your washer in temperatures below 32°F (0°C). Some water can remain in the washer and can cause damage in low temperatures.

### Installation clearances

- The location must be large enough to allow the washer door to be fully opened.
- Additional spacing should be considered for ease of installation and servicing.
- Additional clearances might be required for wall, door, and floor moldings.
- Additional spacing of 1" (25 mm) on all sides of the washer is recommended to reduce noise transfer.
- Companion appliance spacing should also be considered.

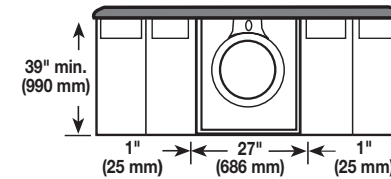
### Washer Dimensions



### Recommended installation spacing for custom undercounter installation

The dimensions shown are for the recommended spacing.

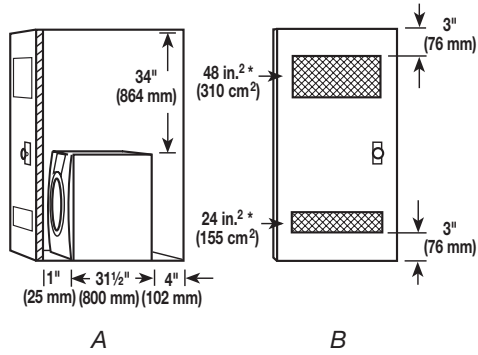
#### Custom undercounter installation - Washer only



## Recommended installation spacing for recessed or closet installation, with or without a pedestal

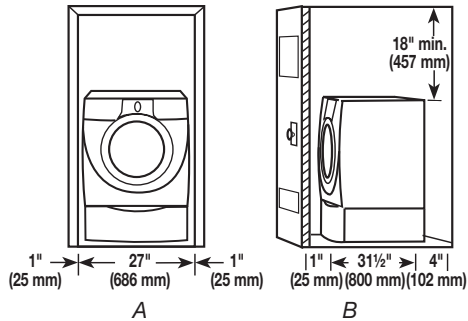
The dimensions shown are for the recommended spacing.

### Recessed area or closet installation



A. Side view - closet or confined area  
B. Closet door with vents

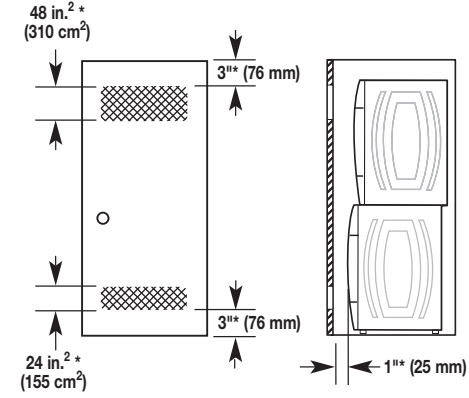
### Recessed or closet installation - Washer on pedestal



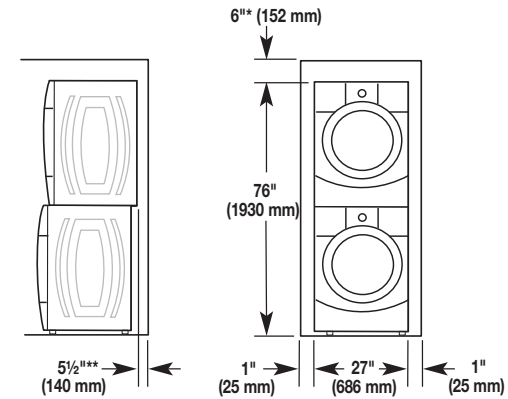
A. Recessed area  
B. Side view - closet or confined area

## Recommended installation spacing for recessed or closet installation, with stacked washer and dryer

The dimensions shown are for the recommended spacing.



\*Required spacing

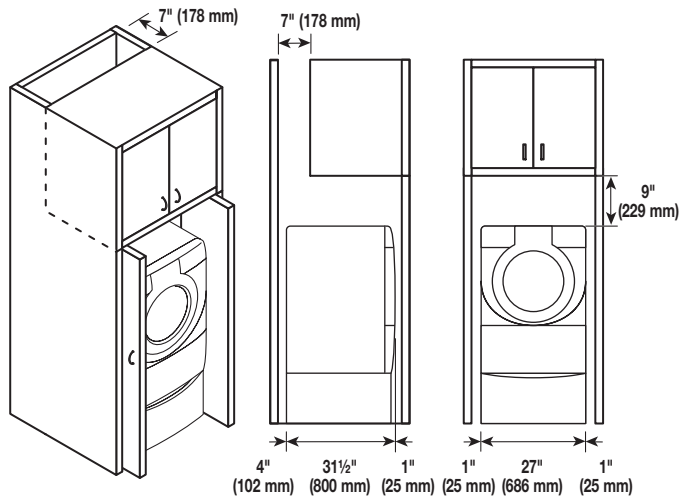


\*Required spacing

\*\*For venting out the side, 1" (25 mm) spacing is allowed.

## Recommended installation spacing for cabinet installation

- The dimensions shown are for the recommended spacing.
- For cabinet installation, with a door, the minimum ventilation openings in the top are required.



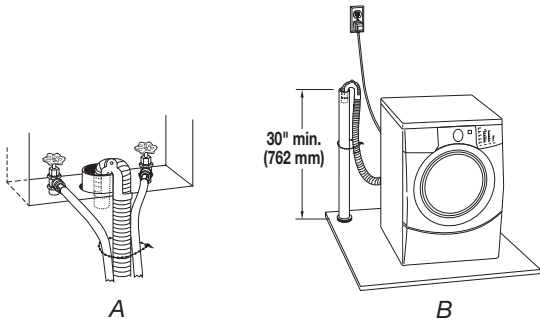
## Drain System

The washer can be installed using the standpipe drain system (floor or wall), the laundry tub drain system, or the floor drain system. Select the drain hose installation method you need. See "Tools and Parts."

### Standpipe drain system - wall or floor (views A & B)

The standpipe drain requires a minimum diameter standpipe of 2" (50 mm). The minimum carry-away capacity can be no less than 17 gal. (64 L) per minute.

The top of the standpipe must be at least 30" (762 mm) high and no higher than 96" (2.4 m) from the bottom of the washer.



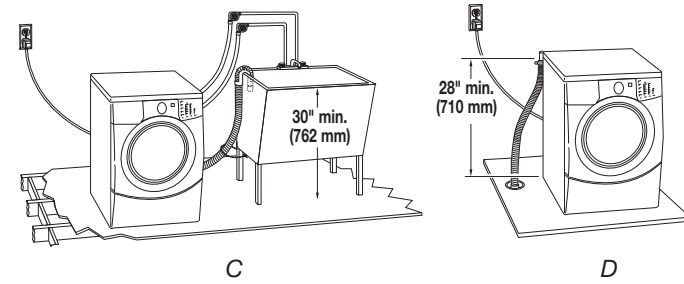
### Laundry tub drain system (view C)

The laundry tub needs a minimum 20 gal. (76 L) capacity. The top of the laundry tub must be at least 30" (762 mm) above the floor.

### Floor drain system (view D)

The floor drain system requires a siphon break that may be purchased separately. See "Tools and Parts."

The siphon break must be a minimum of 28" (711 mm) from the bottom of the washer. Additional hoses might be needed.



## Electrical Requirements

### ⚠ WARNING



#### Electrical Shock Hazard

**Plug into a grounded 3 prong outlet.**

**Do not remove ground prong.**

**Do not use an adapter.**

**Do not use an extension cord.**

**Failure to follow these instructions can result in death, fire, or electrical shock.**

- A 120 volt, 60 Hz., AC only, 15- or 20-amp, fused electrical supply is required. Time-delay fuse or circuit breaker is recommended. It is recommended that a separate circuit serving only this appliance be provided.



- This washer is equipped with a power supply cord having a 3 prong grounding plug.
- To minimize possible shock hazard, the cord must be plugged into a mating, 3 prong, grounding-type outlet, grounded in accordance with local codes and ordinances. If a mating outlet is not available, it is the personal responsibility and obligation of the customer to have the properly grounded outlet installed by a qualified electrician.
- If codes permit and a separate ground wire is used, it is recommended that a qualified electrician determine that the ground path is adequate.
- Do not ground to a gas pipe.
- Check with a qualified electrician if you are not sure the washer is properly grounded.
- Do not have a fuse in the neutral or ground circuit.

### GROUNDING INSTRUCTIONS

#### For a grounded, cord-connected washer:

This washer must be grounded. In the event of a malfunction or breakdown, grounding will reduce the risk of electrical shock by providing a path of least resistance for electric current. This washer is equipped with a cord having an equipment-grounding conductor and a grounding plug. The plug must be plugged into an appropriate outlet that is properly installed and grounded in accordance with all local codes and ordinances.

**WARNING:** Improper connection of the equipment-grounding conductor can result in a risk of electric shock. Check with a qualified electrician or serviceman if you are in doubt as to whether the appliance is properly grounded.

Do not modify the plug provided with the appliance – if it will not fit the outlet, have a proper outlet installed by a qualified electrician.

#### For a permanently connected washer:

This washer must be connected to a grounded metal, permanent wiring system, or an equipment grounding conductor must be run with the circuit conductors and connected to the equipment-grounding terminal or lead on the appliance.

# INSTALLATION INSTRUCTIONS

## Remove Transport System

### **⚠ WARNING**

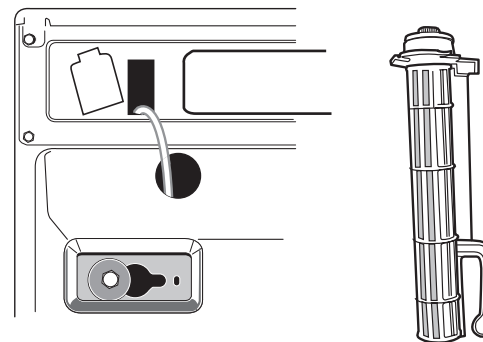
#### **Excessive Weight Hazard**

**Use two or more people to move and install washer.**

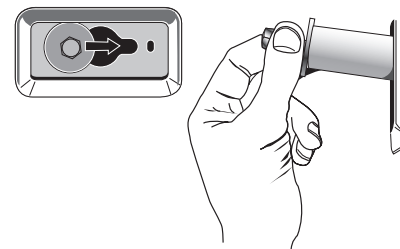
**Failure to do so can result in back or other injury.**

**IMPORTANT:** Position the washer so that the rear of the washer is within approximately 3 ft (900 mm) of its final location.

There are 4 bolts in the rear panel of the washer that support the suspension system during transportation. These bolts also retain the power cord inside the washer until the bolts are removed.



1. Using a 13 mm wrench, loosen each of the bolts.
2. Once the bolt is loose, move it to the center of the hole and completely pull out the bolt, including the plastic spacer covering the bolt.

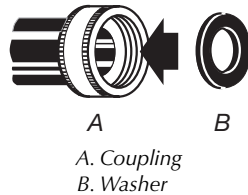


3. Once all 4 bolts are removed, discard bolt and spacers. Then pull the power cord through the opening of the rear panel and close the hole with the attached cap.
4. Close the bolt holes with the 4 transport bolt hole plugs.

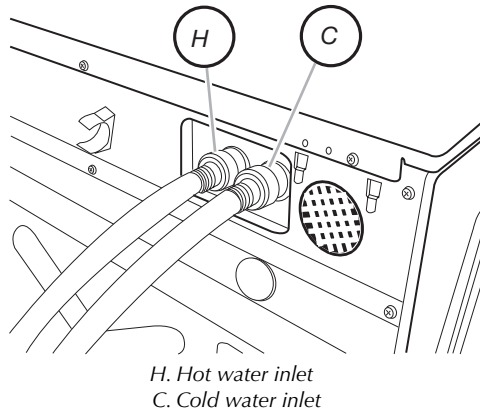
**NOTE:** If the washer is to be transported at a later date, call your local service center. To avoid suspension and structural damage to your washer, it must be properly set up for relocation by a certified technician.

## Connect the Inlet Hoses

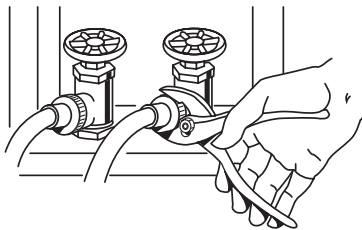
1. Insert new flat washers (supplied) into each end of the inlet hoses. Firmly seat the washers in the couplings.



2. Make sure the washer drum is empty.
3. Attach the hose with the red color indicator to the Hot (left) inlet valve. Attaching the red coupling first makes it easier to tighten connection with pliers. Screw on coupling by hand until it is seated on the washer.
4. Attach the hose with the blue color indicator to the Cold (right) water inlet valve. Screw on coupling by hand until it is seated on the washer.



5. Using pliers, check the tightness of the hose couplings already attached to the washer.  
**NOTE:** Do not overtighten. Damage to the coupling can result.
6. Attach hot water hose to the hot water faucet. Screw on coupling by hand until it is seated on the washer.
7. Attach cold water hose to the cold water faucet. Screw on coupling by hand until it is seated on the washer.
8. Using pliers, tighten the couplings with an additional two-thirds turn.



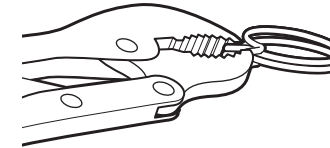
**NOTE:** Do not overtighten. Damage to the coupling can result.

9. Turn on the water faucets and check for leaks.  
**NOTE:** Replace inlet hoses after 5 years of use to reduce the risk of hose failure. Record hose installation or replacement dates on the hoses for future reference.
10. Periodically inspect and replace hoses if bulges, kinks, cuts, wear, or leaks are found.

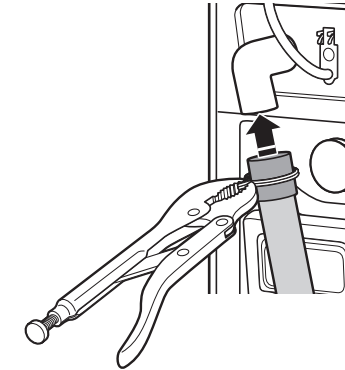
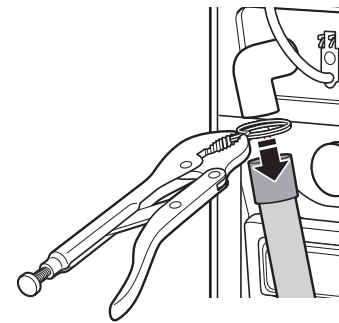
## Connect the Drain Hose

### Remove drain hose from washer drum

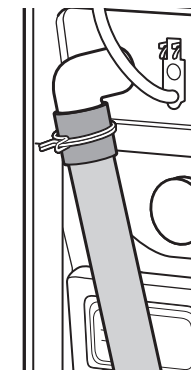
1. Use locking pliers, squeeze hose clamp tabs together and insert over the end of drain hose.



2. Slide drain hose onto washer connection.



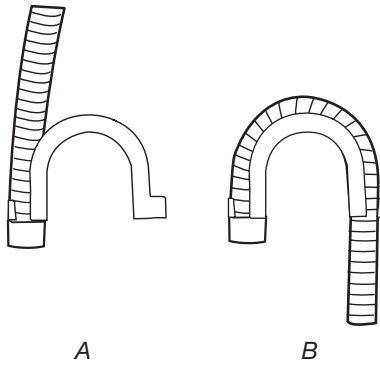
3. Once drain hose is in place, release pliers.



4. Washer drain system can be installed using a floor drain, wall standpipe, floor standpipe, or laundry tub.

## Laundry tub drain or standpipe drain

Connect the drain hose form to the corrugated drain hose.



A. Snap either end of the drain hose form to the drain hose at the point where the corrugation begins.

B. Bend drain hose over drain hose form and snap into place.

### To keep drain water from going back into the washer:

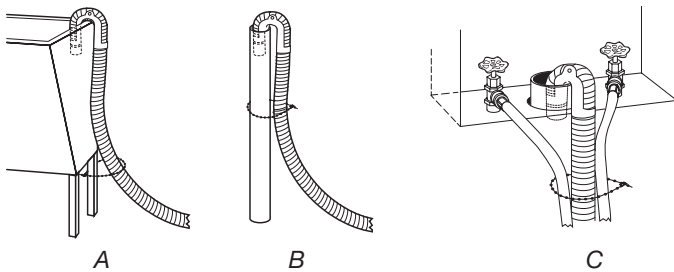
- Do not straighten the drain hose, and do not force excess drain hose into standpipe. Hose should be secure, but loose enough to provide a gap for air.
- Do not lay excess hose on the bottom of the laundry tub.

### Floor drain

You may need additional parts. See Floor drain under “Tools and Parts.”

## Secure the Drain Hose

1. Drape the power cord over the washer top.
2. Secure the drain hose to the laundry tub leg or standpipe with the beaded strap provided. (See illustrations A and B.)



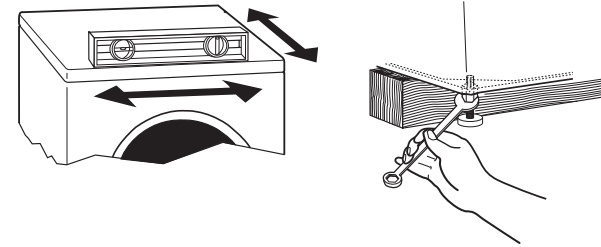
If the washer faucets and the drain standpipe are recessed (see illustration C), put the hooked end of the drain hose in the standpipe. Tightly wrap the beaded strap around the water inlet hoses and the drain hose.

Do not force excess drain hose into the standpipe.

## Level the Washer

Properly leveling your washer avoids excessive noise and vibration.

1. Check the levelness of the washer by placing a level on the top edge of the washer, first side to side, then front to back.

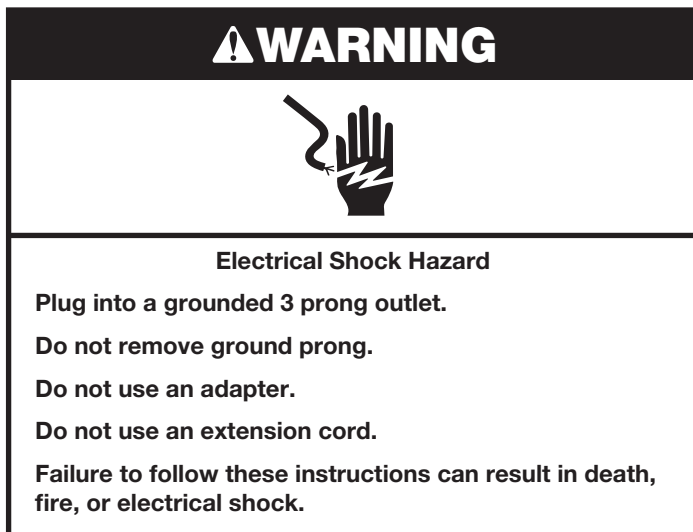


If the washer is against a wall, move the washer out slightly before tipping back. If the washer is not level, first prop the front with a wood block and adjust the feet as necessary; then prop the back and adjust feet as necessary. Repeat this step until washer is level.

2. Make sure all four feet are stable and resting on the floor. Then check that the appliance is perfectly level (use a level).
3. After the washer is level, use a 17 mm open-end wrench to turn the nuts on the feet tightly against the washer cabinet.  
**IMPORTANT:** All four feet must be tightened. If the nuts are not tight against the washer cabinet, the washer may vibrate.
4. The washer should not move front to back, side to side, or diagonally when pushed on its top edges.
5. Slide the washer to its final location.
6. Confirm the levelness of the washer.

## Complete Installation

1. Check the electrical requirements. Be sure that you have the correct electrical supply and the recommended grounding method. See “Electrical Requirements.”
2. Check that all parts are now installed. If there is an extra part, go back through the steps to see which step was skipped.
3. Check that you have all of your tools.
4. Dispose of/recycle all packaging materials.
5. Check that the water faucets are on.
6. Check for leaks around faucets and inlet hoses.



7. Plug into a grounded 3 prong outlet.
8. Read "Washer Use."

9. To test and clean your washer, make sure there are no clothes in the washer and add one AFFRESH™ tablet to the washer drum. Select POWER/CANCEL, the Clean Washer cycle, and then select START/PAUSE. This cycle will take approximately 65 minutes to complete. Allow the washer to complete the entire Clean Washer Cycle without interruption.

## FEATURES AND BENEFITS

### Electronic Controls

Flexible electronic controls are easy to use whether you are a beginner or an expert.

### Smart Dispensers

The Smart Dispensers make your washer truly automatic. This washer provides a four-compartment dispenser which includes separate compartments for main wash detergent, fabric softener, bleach, and auto oxi prewash or auto soak. The dispenser has large pour zones. The dispenser is self-cleaning, and can be easily removed. Laundry products are diluted with fresh water and added to the load at the proper time in the wash cycle.

### Steam Clean

This washer has a built-in steaming unit which is combined with the Steam Clean option to provide multiple temperatures to help remove a variety of stains from garments. Steam Clean may be active in the Whitest Whites, Heavy Duty, and Normal/Casual cycles.

### Oxi/Color-safe Bleach Dispenser

With the Oxi/Color-safe bleach dispenser and the Oxi Treat option, there is no need to come back and add your oxygen-based stain fighter or your color-safe bleach. The washer will automatically add these laundry products to the cycle. Delaying the introduction of these laundry products helps remove many stains better.

### Clean Washer with AFFRESH™ Cycle

This cycle uses steam to raise the temperature of the unit and makes the washer self-cleaning, flushing the machine's interior free of dirt and other residue. The use of AFFRESH™ washer cleaner or liquid chlorine bleach with this cycle will remove and help avoid odor-causing residue.

### Auto Water Level

This washer automatically adjusts water level for optimal cleaning and rinsing performance. Two sensors determine load size, load composition, and suds level, then the sensors adjust the water level to the proper setting. This eliminates guesswork. The water level is just right for every wash load size.

### Super Size Capacity

Since there is no agitator, you can wash larger, bulkier items such as a king-sized bedspread. You are also able to wash more clothes at one time, which means fewer loads.

### Smooth Balance™ Suspension System

To reduce washer "walk" and "off-balance" conditions, your new washer combines:

- 2 Springs to isolate vibration
- 4 Shock absorbers at the washer base to minimize movement

### Commercial Quality Stainless Steel Drum

The commercial quality stainless steel drum eliminates corrosion and enables higher spin speeds for more water extraction, reducing drying time compared to traditional front-load washers.

### High-Efficiency Wash System

Your new front-loading, high-efficiency washer saves time with fewer, larger loads, and lowers your water and energy bills by helping conserve resources.

## Spin Speeds

This washer automatically selects the spin speed based on the cycle selected. This factory setting can be changed, however. This washer offers up to five different spin speed choices.

## Heating Element

This washer has a heating element that automatically heats the water to the optimal temperature on select cycles. This enables stepped cleaning, a process in which warm water is brought in and mixed with detergent first, then the water is heated. Stepped cleaning starts the wash cycle with warm water to help remove stains (such as blood and grass). This heater is active in the Whitest Whites, Heavy Duty, and Normal/Casual cycles.

## Automatic Temperature Control

The automatic temperature control electronically senses and maintains a uniform water temperature. Automatic temperature control regulates incoming hot and cold water. Automatic temperature control is automatically turned on when a cycle is selected.

## Add Clothes

Clothes can be added to the load during the first 8 minutes of the cycle. During this time, the Status Indicator will indicate it is okay to add clothes.

## Special Cleaning Action with Sensi-Care™ Wash System

This washer channels 100% of the water through the dispensers to assure thorough rinse-out and mixture of all the laundry products before they touch any garments. The water is then sprayed from the top front onto the center of the load, providing even distribution, and optimum cleaning performance. It is normal for small amounts of water to remain in the dispensers when the wash cycle is complete.

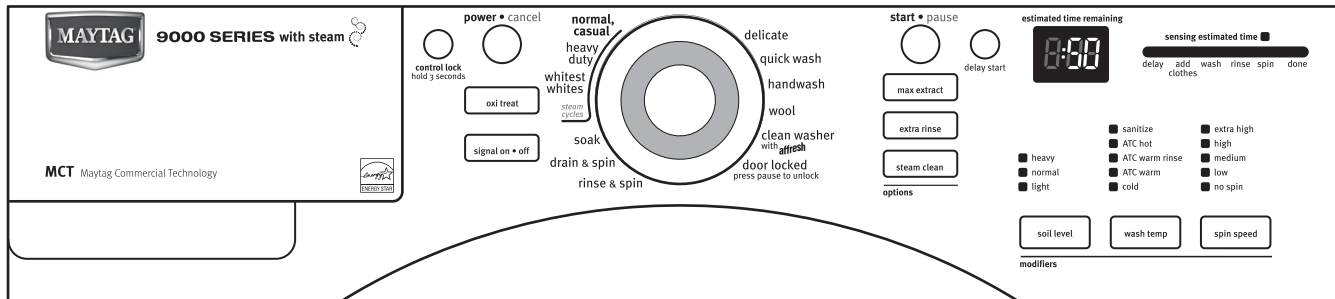
## Efficient Detergent System

This washer has a specially designed valve that closes during the wash portion of the cycle so that 100% of the water and detergent mixture is used on the load. The Efficient Detergent System ensures that no water or detergent is wasted.

## Dynamic Off-Balance Detection

This washer uses two sensors to detect load size and the amount of off-balance within the load. The suspension system and controls are specially designed to redistribute the load automatically.

# WASHER USE



**NOTE:** The panel shown above may be different from that of your model.

## Starting Your Washer

### **⚠ WARNING**



#### **Fire Hazard**

**Never place items in the washer that are dampened with gasoline or other flammable fluids.**

**No washer can completely remove oil.**

**Do not dry anything that has ever had any type of oil on it (including cooking oils).**

**Doing so can result in death, explosion, or fire.**

**WARNING:** To reduce the risk of fire, electric shock, or injury to persons, read the IMPORTANT SAFETY INSTRUCTIONS before operating this appliance.

The following is a guide to using your washer. Please refer to specific sections of this manual for more detailed information.

Do not store laundry products on the top surface of this washer. Vibration is normal during operation.

## Using the Proper Detergent

Use only High Efficiency detergents. The package for this type of detergent will be marked "HE" or "High Efficiency." This wash system, along with less water, will create too much sudsing with a regular non-HE detergent. Using regular detergent will likely result in washer errors, longer cycle times, and reduced rinsing performance. It may also result in component failures and noticeable mold or mildew. HE detergents are made to produce the right amount of suds for the best performance. Follow the manufacturer's instructions to determine the amount of detergent to use. Remember, concentrated detergents such as 2x or higher will use less detergent based on load size.



*Use only HE High Efficiency detergent.*

## First Wash Cycle Without Laundry

Before washing clothes for the first time, if not completed during the final installation step, choose the Normal/Casual cycle and run it without clothes. Use only HE High Efficiency detergent. Use 1/2 the manufacturer's recommended amount for a medium-size load. This initial cycle serves to ensure the interior is clean before washing clothes.

## For All Wash Cycles

1. Open the washer door by pulling on the handle. Sort laundry according to color and type of fabric. Place a load of sorted clothes in the washer. Do not overload washer. Overloading can cause poor cleaning.
  - The washer can be fully loaded, but not tightly packed. Washer door should close easily.
  - Mix large and small items and avoid washing single items. Load evenly.
  - It is recommended that you wash small items such as infant socks in a mesh garment bag.
  - When unloading garments, occasionally check under the gray colored seal at the front of the tub for small items.
2. Close the washer door by pushing it firmly until the lock clicks. The washer door will remain locked during the wash cycle.

**NOTE:** After any wash cycle is completed, the door must be opened and then closed before a new cycle can begin. The door can be opened only if START/PAUSE or POWER/CANCEL is selected while the Add Clothes light illuminates or if the cycle has been canceled. See "To cancel a cycle" in Changing Cycles, Options, and Modifiers section.
3. Open the dispenser drawer and add laundry products to the detergent, oxi/color safe bleach, chlorine bleach, or fabric softener compartments. Close drawer slowly to avoid spills. See "Using the Dispenser."
4. Turn on the washer by selecting POWER/CANCEL. Select one of the cycles by turning the cycle selector. The indicator light for the selected cycle will illuminate. When selecting a wash cycle, the preset Options, Wash Temp, Spin Speed, and Soil Level for the selected cycle will illuminate. The display shows the estimated time remaining. The preset settings provide the recommended fabric care for the selected cycle. See "Cycles."
5. Select the desired Options, such as Oxi Treat, Max Extract™, Extra Rinse, and Steam Clean. Not all options are available with all cycles. See "Options."
6. Select the desired Modifiers, such as Soil Level, Wash Temp, and Spin Speed. Not all modifiers are available with all cycles and options. See "Modifiers."
7. If desired, select SIGNAL ON/OFF. The signal is helpful when you are washing items that should be removed from the washer as soon as it stops.
8. **To begin the wash cycle immediately**  
Select START/PAUSE.
  - If you do not select START/PAUSE within 60 minutes of choosing a cycle, the washer automatically shuts off.
  - When the wash cycle is complete, the status indicator shows Done, the door unlocks, and the wash load can be removed from the washer. The washer powers down automatically 5 minutes after the cycle is complete and the Done light goes off. To power down the washer manually after the wash cycle is complete, select POWER/CANCEL once.

## Using the Dispenser

Your new washer has a dispenser drawer with four separate compartments for your laundry products—one is for detergent, one is for Oxi/color-safe bleach, one is for liquid chlorine bleach, and one is for liquid fabric softener. Laundry products are diluted and dispensed automatically at the proper time during the wash cycle, making it unnecessary for you to return to the washer during the cycle to add them.

It is normal for small amounts of water to remain in the dispensers when the wash cycle is complete.

Do not put laundry products directly into the wash tub. Always use the proper dispensers when adding laundry products.

### Choosing the Right Detergent

Use only High Efficiency detergents. The package for this type of detergent will be marked “HE” or “High Efficiency.” This wash system, along with less water, will create too much sudsing with a regular non-HE detergent. Using regular detergent will likely result in washer errors, longer cycle times, and reduced rinsing performance. It may also result in component failures and noticeable mold or mildew. HE detergents are made to produce the right amount of suds for the best performance. Follow the manufacturer’s instructions to determine the amount of detergent to use. Remember, concentrated detergents such as 2x or higher will use less detergent based on load size.

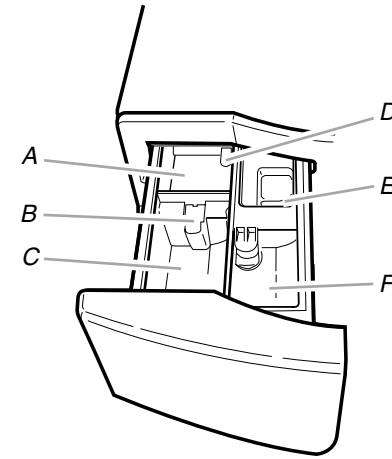


Use only HE High Efficiency detergent.

### To fill dispenser compartments

1. Pull out the dispenser drawer.
2. Add the desired laundry product to the proper compartment.

3. Push in the dispenser drawer slowly and completely (to avoid a spill).



Dispenser

- A. Dispenser release lever
- B. Oxi/Color-safe bleach compartment
- C. Detergent type selector
- D. High Efficiency “HE” detergent compartment
- E. Chlorine bleach compartment
- F. Fabric softener compartment

### Oxi/Color-safe bleach compartment

(Letter B in Dispenser Illustration)

Liquid or powdered oxygen based stain fighter/color-safe bleach may be used in this compartment; however, powder is recommended for optimal timed release. Add your oxygen based stain fighter/color-safe bleach to this compartment when using the Oxi Treat option. The oxygen based stain fighter/color-safe bleach will automatically be dispensed during the wash cycle if the Oxi Treat option is selected. Follow the manufacturer’s directions for proper use.

**IMPORTANT:** When delaying a cycle, use only powdered product in the Oxi/color-safe bleach compartment because liquid product may seep out of the compartment during Delay Wash, before the wash cycle begins.

### High efficiency “HE” detergent compartment

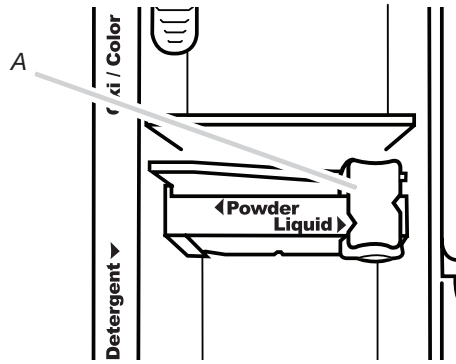
(Letter D in Dispenser Illustration)

Add liquid or powdered HE detergent to this compartment for your wash cycle. The detergent type selector (A) must always be in the correct position for the detergent type used. Slide the detergent type selector to the correct position.

#### **IMPORTANT:**

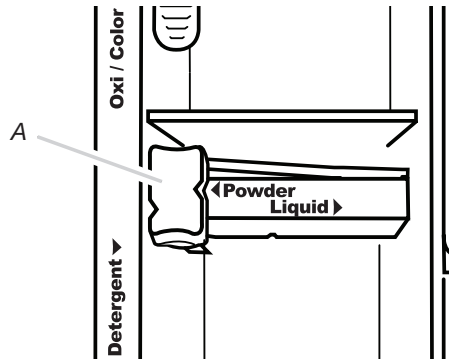
- If you are using the Delay Wash option, powdered detergent should be used in the compartment because liquid detergents may seep out of the compartment before the wash begins.
- Use the detergent manufacturer’s recommended amount for load size.

- Liquid detergent:



Selector in position for liquid detergent  
A. Detergent type selector

- Powdered detergent:



Selector in position for powdered detergent  
A. Detergent type selector

### Chlorine bleach compartment

(Letter E in Dispenser Illustration)

Add no more than  $\frac{2}{3}$  cup (160 mL) liquid chlorine bleach to this compartment. The bleach will be automatically diluted and dispensed at the best time during the first rinse after the wash cycle. This compartment cannot dilute powdered bleach.

- Always measure liquid chlorine bleach. Use a measuring cup with a pour spout; do not guess. Follow the manufacturer's directions for proper use.
- Do not fill beyond the "MAX" level. Overfilling could cause garment damage.

### Fabric softener compartment

(Letter F in Dispenser Illustration)

Pour measured liquid fabric softener into the fabric softener dispenser, if desired.

- Do not overfill. The dispenser holds  $\frac{1}{4}$  cup (60 mL).

- The fabric softener is dispensed in the rinse cycle. If Extra Rinse is selected, the fabric softener will be dispensed during the Extra Rinse.
- Do not use fabric softener dispensing balls in this washer. Dispensing balls will not operate correctly with this washer.
- Do not spill or drip any fabric softener onto the clothes.
- At the end of the cycle, a small amount of water may be left in the dispenser. This is normal.

**NOTE:** Use only liquid fabric softener in this dispenser.

## Pausing or Restarting

1. To pause the washer at any time, select START/PAUSE.
2. To continue the cycle, select START/PAUSE (for approximately 1 second).

## Changing Cycles, Options, and Modifiers

Not all Options and Modifiers are available with all cycles. Cycles, Options, and Modifiers can be changed anytime before START/PAUSE is selected.

Options and Modifiers can be changed anytime after START/PAUSE is selected and before the start of the selected Option or Modifier.

### To cancel a cycle and begin a new cycle

1. Select POWER/CANCEL twice.
2. Select desired cycle.
3. Select the desired OPTIONS.
4. Select START/PAUSE (for approximately 1 second) to restart the washer at the beginning of the new cycle.

### To cancel a cycle

1. Select POWER/CANCEL once.
2. The washer powers down, the door unlocks, and clothes can be removed.

**NOTE:** If the water level or the temperature is too high, the washer will drain automatically before the door unlocks.

### To change Options or Modifiers after the cycle has started

1. Select START/PAUSE once.
2. Select the desired OPTIONS or MODIFIERS.
3. Select START/PAUSE (for approximately 1 second) to continue the cycle.

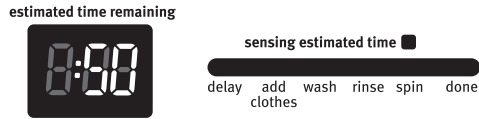
### To drain the washer manually

1. Select START/PAUSE once.
2. Select Drain & Spin.
3. Select START/PAUSE (for approximately 1 second) to begin the drain.
4. When the spin is complete, the door unlocks. Items can be removed from the washer.



## Status Indicator

This indicator shows which portion of the cycle the washer is operating and the estimated time remaining. It also indicates when you can add an additional item to the wash cycle and when the controls are locked.



### Adding items

This washer allows an 8-minute period in which other garments may be added to the load. You can add items to the washer if the status indicator shows Add Clothes.

#### To add items

1. Select START/PAUSE once. The washer door unlocks, and items can be added.
2. To continue the cycle, close the door and select START/PAUSE (for approximately 1 second).
3. To unlock the door after the Add Clothes period, press POWER/CANCEL twice. This will cancel the Wash Cycle.

### Cycle done

The cycle done indicator stays on for 60 minutes, until the door of the washer is opened, or the Power/Cancel button is pressed.

### Sanitize

Cycles certified by NSF International, an independent, third party testing and certification organization are those with the sanitize temperature selection available. The certification verified that these cycles reduce 99.9% of bacteria typically found on clothing, bedding, and towels. There is no carryover of bacteria between loads after the cycle is complete. Only cycles with sanitize wash temperature selected have been designed to meet the requirements of NSF Protocol P172 for Sanitizing Efficacy.



### Locking controls

The Control Lock avoids unintended use of the washer. You can also use the control lock feature to avoid unintended cycle or option changes during a cycle. When Control Lock light is lit during a cycle, all buttons are disabled except for the Control Lock, Power/Cancel, and Start/Pause buttons.

#### To lock the controls

Select and hold CONTROL LOCK button for 3 seconds.



The CONTROL LOCK status light illuminates.

#### To unlock the controls

Select and hold CONTROL LOCK for 3 seconds until the Control Lock status light turns off.

### Door Locked

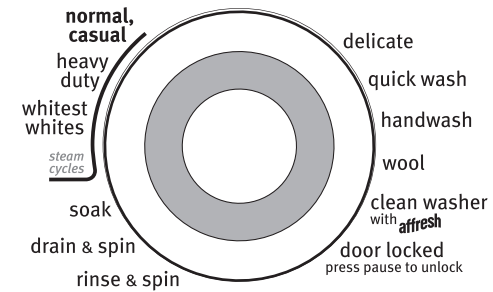
When the status light illuminates, the door is locked.

### Estimated time remaining

The cycle time varies automatically based on your water pressure, water temperature, detergent, and clothes load. The cycle time will be extended if oversudsing occurs or the load is unbalanced. The SUDs routine removes extra suds and assures proper rinsing of your clothes. During the unbalance routine, the time displayed may pause until this activity is complete, then resume with the cycle. These routines may add up to a half-hour to the default cycle time.

## Cycles

Cycles can be selected by turning the Cycle control knob to the desired cycle. Each cycle is designed for different types of fabric and soil levels.



- Each cycle has a preset Soil Level (cycle time), Water Temperature, and Spin Speed, and may have preset options. The preset settings provide the recommended fabric care for the selected cycle.
- The preset settings can be changed anytime before START is pressed. Not all options and modifiers are available with all cycles. (To change settings after the cycle has started, press PAUSE once, then select the desired settings. Press START again to continue the cycle.)

### Whitest Whites

This cycle is especially designed for cleaning loads of soiled white fabrics with the addition of bleach. Hot washing temperatures assure optimal bleach activity. An additional rinse provides optimal rinse performance to avoid chlorine residues on your laundry. This cycle combines high-speed tumbling, longer wash time, and fast-speed spin to shorten drying time.

### Heavy Duty

Use this cycle to wash loads of sturdy, colorfast fabrics, and heavily soiled garments. This cycle combines fast-speed tumbling, longer wash time, and extra high speed spin to shorten drying times. If the water temperature is lower than needed for this cycle, the heater will warm the water to the optimum temperature.

### Normal/Casual

Use this cycle to wash normally soiled cottons and linens. This cycle combines medium-speed tumbling and high-speed spin.

## Delicate

Use this cycle to wash no-iron fabrics and garments labeled “Permanent Press” or “Wrinkle Free” or that indicate using a “Gentle” cycle on the care label. This cycle combines low-speed tumbling and low-speed spin to help reduce wrinkling.

## Quick Wash

Use this cycle to wash small loads of lightly soiled garments that are needed in a hurry. This cycle combines fast-speed tumbling, a shortened wash time, and extra high speed spin to shorten drying time.

## Handwash

Use this cycle to clean hand washable and special-care garments. Similar to the way garments are hand washed in a sink, the wash action of this cycle combines periods of low-speed tumbling and soaking. Low-speed spin helps reduce wrinkling.

## Wool

Use this cycle to clean machine washable woolen garments. Check the care instructions to make sure that garment is washable. This cycle features gentle tumbling and low-speed spin to provide optimum garment care.

## Clean Washer with AFFRESH™ Cycle

Use this cycle once a month to keep the inside of your washer fresh and clean. This cycle uses a higher water level in combination with Affresh™ washer cleaner and steam, to thoroughly clean the inside of your washer. This cycle should not be interrupted. See Cleaning Your Washer in the Washer Care section.

**IMPORTANT:** Do not place garments in the washer during the Clean Washer cycle.

## Soak

Use the Soak cycle to remove small spots of set-in stains on fabrics. This cycle provides a soak time with warm or cold water followed by drain. Extra water, a short tumbling phase for equal distribution of the laundry, and a soaking time without drum movement improve the removal of set-in stains. Drain without spin assures gentle treatment, even for delicate articles.

## Rinse & Spin

Use this cycle to get a rinse and spin only. This cycle combines fast-speed tumbling and extra high speed spin. If desired, you can reduce the spin speed by selecting the speed you want from the Spin Speed modifier.

### A Rinse & Spin cycle is useful for:

- Loads that need rinsing only, like swimsuits.

**NOTE:** For more delicate loads, when using a Rinse & Spin cycle to rinse swimwear, change the Speed Spin Modifier setting to Medium or Low to avoid fabric stress.

- Adding fabric softener to a load.

## Drain & Spin

Use this cycle to drain your washer or to drain and spin your wash load. The spin speed is preset to extra high. If desired, you can reduce the spin speed by selecting the speed you want from the Spin Speed modifier.

**NOTE:** Loads of synthetics, delicate fabrics, hand washables, and washable woolens should be drained with no spin or low spin speed to avoid fabric stress.

## Preset cycle settings

Each cycle has a preset Soil Level (cycle time), Water Temperature, and Spin Speed. The preset settings provide the recommended fabric care for the selected cycle. See chart.

Cycles	Soil Level (cycle time)	Water Temp	Spin Speed
Whitest Whites	Normal (1:20)	Hot/Cold	Extra High
Heavy Duty	Heavy (1:27)	Hot/Cold	Extra High
Normal/Casual	Normal (0:50)	Warm/Cold	High
Delicate	Normal (0:40)	Warm/Cold	Medium
Quick Wash	Light (0:30)	Warm/Cold	Extra High
Handwash	Normal (0:30)	Cold/Cold	Low
Wool	Normal (0:30)	Warm/Cold	Medium
Clean Washer with AFFRESH™	N/A (1:05)	N/A	N/A
Soak	Normal (0:30)	Warm/Cold	No Spin
Rinse & Spin	N/A (0:22)	Cold/Cold	Extra High
Drain & Spin	N/A (0:13)	N/A	Extra High

## To change the preset cycle settings

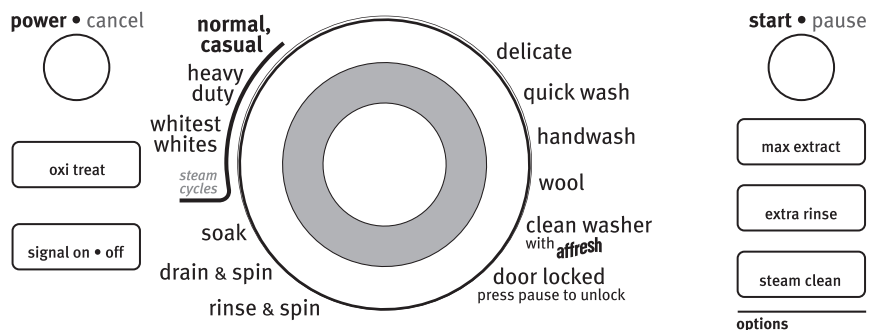
Press the selector of each setting until the desired setting illuminates.

## Normal Washer Sounds

As with any new product, you will hear sounds that you are not accustomed to. You may hear various sounds when the door is locked and unlocked, and during the washing, rinsing, and spinning process. Between changes in wash actions, there will be momentary pauses. You will hear water spraying and splashing during the wash and rinse cycles. These new sounds and pauses are part of normal washer operation.

## Options

You can customize your wash by adding options to your cycle selections. You can add or change an option after starting a cycle anytime before the selected option begins. Not all options are available with all cycles.



- See the “Laundry Guide” for an overview of possible options for each Wash Cycle selection.
- You can select more than one option for a cycle. Some options cannot be added to some cycles; for example, Oxi treat cannot be added to the Quick Wash cycle.
- If an option is available with a selected cycle, the light for that option will illuminate when selected.
- If an option is unavailable with a selected cycle, there will be a short tone, and the light for that option will not illuminate when selected.

### Oxi Treat

Use this option for heavily soiled loads that need pretreatment. Selecting this option will ensure these products dispense during the wash cycle at the proper time for improving your wash performance.

#### NOTES:

- Add oxygen-based stain fighter or color-safe bleach to the Oxi/color-safe bleach compartment in the dispenser drawer.
- Use powdered detergent when using Oxi treat.

### Signal On/Off

Use this option to turn the buzzer indicating the end of the cycle on or off.

### Max Extract™

Use this option to add an additional spin to any cycle to improve drying times for some heavy fabrics by reducing excess water, which may save energy.

### Steam Clean

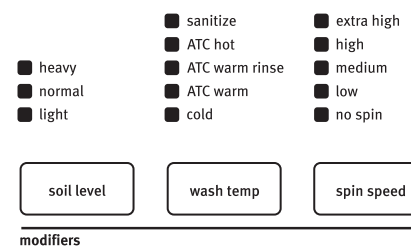
Use this option for heavily soiled loads that need improved stain treatment or loads with multiple types of stains. When Steam Clean is selected, the water temperature of the selected wash cycle is automatically set to warm. The water will then be slowly heated to the temperature selected, along with steam, to aid in stain removal. This option will provide optimal removal of organic stains such as blood and temperature-sensitive stains such as oil, in the same cycle. This option is available on the following cycles: Normal/Casual, Heavy Duty, and Whitest Whites.

### Extra Rinse

A second rinse can be used to aid in the removal of detergent or bleach residue from garments. This option provides an additional rinse with the same water temperature as the normal rinse. This is the default rinse setting for the Whitest Whites cycle.

## Modifiers

Preset cycle settings of Soil Level (cycle time), Wash Temperature, and Spin Speed can be changed. You can change these settings by using modifiers. Modifiers can be changed before or during the cycle until that part of the cycle starts. Not all modifiers are available with all cycles and options.



- To change Soil Level (cycle time), select the SOIL LEVEL button until the desired setting illuminates.
- To change the water temperature, select the WASH TEMP button until the desired setting illuminates.
- To change the spin speed, select the SPIN SPEED button until the desired setting illuminates.

### Wash/Rinse Temp

Select a water temperature based on the type of load you are washing. Use the warmest wash water safe for fabrics. Follow garment label instructions.

Warm rinses leave the loads drier than cold rinses. Warm rinses increase wrinkling. In cold climates, a warm rinse makes the load more comfortable to handle. Cold rinses save energy.

- Cycles certified by NSF International, an independent, third party testing and certification organization, are those with the sanitize temperature selection available. The certification verified that these cycles reduce 99.9% of bacteria typically found on clothing, bedding, and towels. There is no carryover of bacteria between loads after the cycle is complete. Only cycles with sanitize wash temperature selected have been designed to meet the requirements of NSF Protocol P172 for Sanitizing Efficacy.



Certified to Sanitize

- The Sanitize water temperature provides an extra high temperature wash to remove 99.9% of certain bacteria. It is recommended that you set your hot water heater to 120°F (49°C) to ensure proper performance during this cycle.
- The Sanitize water temperature is extremely hot. Please check garment care labels to avoid garment damage.

- In wash water temperatures colder than 60°F (15.6°C), detergents do not dissolve well. Soils may be difficult to remove.

### Wash Water Temperature Suggested Fabrics

Wash Water Temperature	Suggested Fabrics
<b>SANITIZE</b>	Sturdy colorfast fabrics Heavy soils
<b>HOT</b>	Sturdy colorfast fabrics Whites and pastels Heavy soils
<b>WARM</b>	Bright colors Moderate to light soils

Wash Water Temperature	Suggested Fabrics
<b>COLD</b>	Colors that bleed or fade Light soils

*In wash water temperatures colder than 60°F (15.6°C), detergents do not dissolve well. Soils may be difficult to remove.*

### Automatic Temperature Control

The automatic temperature control electronically senses and maintains a uniform water temperature. Automatic temperature control regulates incoming hot and cold water. Automatic temperature control is automatically turned On when a cycle is selected. See “Preset Cycle Settings” in Cycles.

**NOTE:** Automatic temperature control works for all wash and rinse temperature settings.

## LAUNDRY GUIDE

Refer to this chart for suggested load types and their corresponding cycles. Listed to the right are the options available to each of these washer cycles.

CYCLE	SUGGESTED LOAD TYPE	AVAILABLE OPTIONS					
		Signal ON/OFF	Delay Start	Extra Rinse	Steam Clean	Oxi Treat	Max Extract™
<b>Whitest Whites</b>	Heavily soiled white fabrics	✓	✓	✓	✓	✓	✓
<b>Heavy Duty</b>	Heavily soiled underwear, towels, work clothes, shirts, etc.	✓	✓	✓	✓	✓	✓
<b>Normal/Casual</b>	Normally soiled blouses, shirts, overalls, etc., made of polyester, nylon, linen, or cotton blends	✓	✓	✓	✓	✓	✓
<b>Delicate</b>	Use this cycle to wash no-iron fabrics and garments labeled “Permanent Press” or “Wrinkle Free” or that indicate using a “Gentle” cycle on the care label.	✓	✓	✓			
<b>Quick Wash</b>	Lightly soiled sports wear made of cotton, polyester, nylon, or cotton blends	✓	✓	✓			
<b>Handwash</b>	Fabrics made of silk, special-care items marked “Handwashable”.	✓	✓	✓			
<b>Wool</b>	Woolens with a felt-free finish, identified as machine washable	✓	✓	✓			
<b>Clean Washer with AFFRESH™</b>	No clothes	✓	✓				
<b>Soak</b>	Fabrics made of cotton, linen, polyester, or nylon	✓	✓				
<b>Rinse &amp; Spin</b>	Fabrics made of cotton, linen, polyester, or nylon	✓	✓				
<b>Drain &amp; Spin</b>	Fabrics made of cotton, linen, polyester, or nylon	✓	✓				

# LAUNDRY TIPS

## Preparing clothes for washing

Follow these recommendations to help you prolong the life of your garments.

- Use only High Efficiency detergents. The package for this type of detergent will be marked “HE” or “High Efficiency.” This wash system, along with less water, will create too much sudsing with a regular non-HE detergent. Using regular detergent will likely result in washer errors, longer cycle times, and reduced rinsing performance. It may also result in component failures and noticeable mold or mildew. HE detergents are made to produce the right amount of suds for the best performance. Follow the manufacturer’s instructions to determine the amount of detergent to use. Remember, concentrated detergents such as 2x or higher will use less detergent based on load size.



*Use only HE High Efficiency detergent.*

- Close zippers, snaps, and hooks to avoid snagging other items. Remove pins, buckles, and other hard objects to avoid scratching the washer interior. Remove non-washable trim and ornaments.
- Empty pockets and turn them inside out.
- Turn down cuffs; brush away lint and dirt.
- Turn wool and synthetic knits inside out to avoid pilling.
- Tie strings and sashes so they will not tangle.
- Mend tears, loose hems, and seams.
- Treat spots and stains.
- Stained or wet garments should be washed promptly for best results.
- Mix large and small items, avoid washing single items, and load evenly.
- Wash small items, such as infant socks, in a mesh garment bag. To create a balanced load, it is recommended that more than one garment bag be used, and that each garment bag be filled with equal amounts of material.

**NOTE:** If you are washing only small items, it is recommended that more than one mesh garment bag be used, and that each garment bag be filled with equal amounts of material.

## Sorting

- Separate heavily soiled items from lightly soiled ones, even if they would normally be washed together. Separate lint-givers (towels, chenille) from lint-takers (corduroy, synthetics, permanent press). When possible, turn lint-givers inside out.
- Separate dark colors from light colors, colorfast items from non-colorfast items.
- Sort by fabric and construction (sturdy cottons, knits, delicate items).

## Unloading

- Remove clothes from washer after the cycle is completed. Metal objects such as zippers, snaps, and buckles may rust if left in the washer basket for a long time.
- When unloading garments, occasionally check under the gray colored seal at the front of the tub for small items.

## Loading

### Loading suggestions

#### Heavy Work Clothes

4 jeans	2 sweatpants
4 work pants	2 sweatshirts
4 work shirts	

#### Towels

10 bath towels	14 washcloths
10 hand towels	

#### Mixed Load

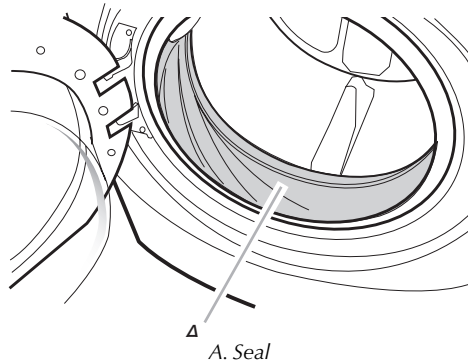
3 sheets (1 king, 2 twin)	9 T-shirts
4 pillowcases	9 shorts
3 shirts	10 handkerchiefs
3 blouses	

# WASHER CARE

## Cleaning Your Washer

### Cleaning the door seal

1. Open the washer door and remove any clothing or items from the washer.
2. Inspect the gray colored seal between the door opening and the basket for stained areas. Pull back the seal to inspect areas under the seal. Remove any foreign objects.



3. If stained areas are found, wipe down these areas of the seal, using the procedure that follows.
  - a) Mix a dilute solution, using  $\frac{3}{4}$  cup (177 mL) of liquid chlorine bleach, and 1 gal. (3.8 L) of warm tap water.
  - b) Wipe the seal area with the dilute solution, using a damp cloth.
  - c) Let stand 5 minutes.
  - d) Wipe down area thoroughly with a dry cloth and let the washer interior air dry with door open.

### IMPORTANT:

- Wear rubber gloves when cleaning for prolonged periods.
- Refer to the bleach manufacturer's instructions for proper use.

### Washer Maintenance Procedure

This washer has a special cycle that uses higher water volumes and steam, in combination with AFFRESH™ washer cleaner or liquid chlorine bleach to thoroughly clean the inside of the washer.

### NOTES:

- Read these instructions completely before beginning the cleaning process.
- If necessary, the cleaning cycle may be interrupted by pressing the Start/Pause button. However, this will not immediately stop the cycle. The machine will display "int" (interrupt) and continue with several rinse and drain steps to ensure that all remaining bleach is rinsed from the washer.

### Begin procedure

1. Open the washer door and remove any clothing or items from the washer.
2. **Using the AFFRESH™ washer cleaner (Recommended):**  
Add one AFFRESH™ washer cleaner tablet to the washer drum.  
**If using liquid chlorine bleach:**  
Open the dispenser drawer and immediately add  $\frac{2}{3}$  cup (160 mL) of liquid chlorine bleach to the bleach compartment.  
**NOTE:** Do not add any detergent to this cycle. Use of more than  $\frac{2}{3}$  cup (160 mL) of bleach will cause product damage over time.
3. Close the washer door and dispenser drawer.
4. Select the Clean Washer cycle.
5. Press START/PAUSE.  
**NOTE:** The basket will rotate, then the door will unlock, lock again, and then the cycle will continue.
  - The machine will bring in some inlet water, and the basket will rotate while the washer runs a short sensing cycle. This will take approximately 3 minutes.
6. The cycle will determine whether clothing or other items are in the washer.
  - a) If no items are detected in the washer, it will proceed to Step 7.
  - b) If any items are detected in the washer, "rL" will be displayed, and the WASH and CONTROL LOCK lights will remain lit. The door will unlock. Open and remove any garments in the wash drum.
    - Press POWER/CANCEL to cancel the failure code. Then repeat steps 3, 4, and 5 to start the cycle again.
7. Once the cycle has begun, allow the cycle to complete.
8. After the cycle is complete, leave the door open slightly to allow for better ventilation and drying of the washer interior.

### Always do the following to maintain washer freshness

- Use only HE High Efficiency detergent.
- Leave the door slightly open after each cycle to allow for better ventilation and drying of washer interior.
- Repeat the cleaning procedure monthly or when the CLEAN WASHER REMINDER light illuminates.
- If you are not ready to run the Clean Washer cycle, but the Clean Washer Reminder light is illuminated, press the Clean Washer Reset button.

If the procedure does not sufficiently improve the machine freshness, evaluate your installation and usage conditions for other causes.

## Cleaning the Dispenser Drawer

The dispenser drawer is removable for easy cleaning.

1. Open the dispenser drawer. Unlock the dispenser drawer by pressing the Release Lever in the Oxi/color-safe bleach compartment. Remove the drawer.
2. Wash the dispenser under running water to clean. Allow to dry.
3. Return the dispenser to drawer.

## Cleaning the exterior

Use a soft damp cloth or sponge to wipe up any spills. Occasionally wipe the outside of your washer to keep it looking new. Use mild soap and water. Do not use abrasive products.

---

## Water Inlet Hoses

Replace inlet hoses after 5 years of use to reduce the risk of hose failure. Periodically inspect and replace inlet hoses if bulges, kinks, cuts, wear, or leaks are found.

When replacing your inlet hoses, record the date of replacement.

---

## Vacation, Storage, and Moving Care

Install and store your washer where it will not freeze. Because some water may stay in the hoses, freezing can damage your washer. If storing or moving your washer during freezing weather, winterize it.

### Non-use or vacation care:

Operate your washer only when you are at home. If you will be on vacation or not using your washer for an extended period of time, you should:

- Unplug washer or disconnect power.
- Turn off the water supply to the washer. This helps avoid unintended flooding (due to a water pressure surge) while you are away.
- Slightly open door to provide ventilation.


### To winterize washer:

1. Put 1 qt (1 L) of R.V.-type antifreeze in the drum.
2. Run washer on a Drain & Spin cycle.
3. Unplug washer or disconnect power.
4. Shut off both water faucets.
5. Disconnect water inlet hoses from faucets and drain.

## To use washer again:

1. Flush water pipes. Reconnect water inlet hoses to faucets. Turn on both water faucets.

**⚠ WARNING**



**Electrical Shock Hazard**

**Plug into a grounded 3 prong outlet.**

**Do not remove ground prong.**

**Do not use an adapter.**

**Do not use an extension cord.**

**Failure to follow these instructions can result in death, fire, or electrical shock.**

2. Plug in washer or reconnect power.
3. Run the washer through the Normal/Casual cycle with 1/2 the manufacturer's recommended amount of HE detergent for a medium-size load, to clean the washer and remove the antifreeze, if used.

### To transport the washer:

1. If washer will be moved during freezing weather, put in 1 qt (1 L) of R.V.-type antifreeze in the drum. Run washer on a Drain & Spin cycle.
2. Unplug the power cord.
3. Disconnect the drain hose from the drain system and attach to rear panel clips.
4. Shut off both water faucets.
5. Disconnect the water inlet hoses from faucets, then drain the hoses and clip them to the rear panel of the washer.

**IMPORTANT:** Call for service. Do not reuse transport bolts. Washer must be transported in the upright position. To avoid suspension and structural damage to your washer, it must be properly set up for relocation by a certified technician.

### Reinstalling the washer

1. Follow the "Installation Instructions" to locate, level, and connect the washer.
2. Run the washer through the Normal/Casual cycle with 1/2 the manufacturer's recommended amount of HE detergent for a medium-size load, to clean the washer and remove the antifreeze, if used.

# TROUBLESHOOTING

First try the solutions suggested here or visit our website and reference FAQs (Frequently Asked Questions) to possibly avoid the cost of a service call.

In the U.S.A. [www.maytag.com/help](http://www.maytag.com/help) In Canada [www.maytag.ca](http://www.maytag.ca)

## Washer displaying code message and tone sounds

- **"F20" (Water Inlet Problem—no water or insufficient water supply)**  
Select POWER/CANCEL twice to cancel the cycle. Unplug washer or disconnect power.

### Check the following:

- Are both hot and cold water faucets completely turned on?
- Are screens at inlet hose connection to washer clogged?
- Are water inlet hoses kinked?
- Are water inlet hoses frozen?

Plug in washer or reconnect power. Re-select cycle and press START/PAUSE. If the problem remains, call for service.

- **"F21" (Drain Problem)**  
Select POWER/CANCEL twice to cancel the cycle. Unplug washer or disconnect power.

### Check the following:

- Is the drain hose kinked?
- Is the drain hose frozen?
- Is the drain hose clogged?
- Is the drain hose more than 96" (2.4 m) above the floor?

Plug in washer or reconnect power. Re-select cycle and press START/PAUSE. If the problem remains, call for service.

- **"SUD" (Suds Routine)**  
When excessive suds are detected, a suds routine automatically starts. This routine removes extra suds and assures proper rinsing of your garments. "SUD" is displayed during rinsing and at the end of the cycle to inform you that Suds Routine was activated. Use only HE (High Efficiency) detergents.

- **"F22" (Front Door Lock)**  
Select POWER/CANCEL twice to cancel the cycle.

### Check the following:

- Is the washer door firmly shut?  
The door must be completely closed for the washer to operate. The door may look closed, but may not be latched. Open the door and close firmly.  
Were you washing a large load?  
Before you close the washer door, check that clothes are inside the washer drum and away from the seal area so the clothes can tumble freely. An overloaded basket may keep the door from closing completely. Reduce your load size if needed. Close the door. Press POWER/CANCEL and then press START/PAUSE.

- **"F" Codes other than F20, F21, or F22**  
Select POWER/CANCEL twice to cancel the cycle. Select DRAIN & SPIN if there is excessive water in the washer.  
Re-select cycle and press START/PAUSE. If the problem remains, call for service.

## Washer won't start

### ⚠ WARNING



#### Electrical Shock Hazard

**Plug into a grounded 3 prong outlet.**

**Do not remove ground prong.**

**Do not use an adapter.**

**Do not use an extension cord.**

**Failure to follow these instructions can result in death, fire, or electrical shock.**

- **Check the following:**
  - Is the power cord plugged into a grounded 3 prong outlet?
  - Is the washer door firmly closed?
  - Has a cycle been selected, but START/PAUSE has not been selected and held for 1 second?
  - Was the door open after completion of last cycle?

## Washer won't fill, wash, or rinse

- **Check the following:**
  - Is the power cord plugged into a grounded 3 prong outlet?
  - Is there power at the plug? Check electrical source or call an electrician.
  - Are the hot and cold water faucets turned on?
  - Is the water inlet hose kinked?
  - Are the water inlet valve screens clogged?  
Turn off the water and remove inlet hoses from the washer. Remove any accumulated film or particles. Reinstall hoses, turn water on, and check for leaks.



---

## Washer stops

---

- **Check the following:**

- Is the power cord plugged into a grounded 3 prong outlet?

- Is there power at the plug?

- Check electrical source or call an electrician.

- Has a household fuse blown, or has a circuit breaker tripped?

- Replace the fuse or reset the circuit breaker.

- If the problem continues, call an electrician.

- Are you using an extension cord?

- Do not use an extension cord.

---

## Washer won't drain or spin

---

- **Is the drain hose kinked? Is the drain hose clogged, or the end of the drain hose more than 96" (2.4 m) above the floor?**

- **Is your voltage low?**

- Check electrical source or call electrician. Do not use an extension cord.

- **Is the "SUD" routine active?**

- Cycle will complete once extra suds are removed.

- **Is the load balanced?**

- A single or bulky item may cause imbalance. Add more items or redistribute the load.

---

## Washer makes noise or vibrates

---

- **Is the washer level?**

- The washer must be level. The four feet should be properly installed, and the nuts should be tightened against the washer cabinet.

- As water is drained from the washer, you may hear air being pulled through the pump. This happens during the end of draining. It is normal.

- **Are you washing items with metal snaps, buckles, or zippers?**

- You may hear metal items touching the washer drum. This is normal.

- **Is washer installed on a sturdy and solid floor?**

- Refer to the "Installation Instructions" for flooring requirements. Noise and vibration may be reduced by securing a piece of 3/4" (19.1 mm) plywood underneath your washer. The plywood may extend underneath both washer and dryer to keep them at equal heights.

---

---

## Washer leaks

---

- **Check household plumbing for leaks.**

- **Are the inlet hose connections tight?**

- For inlet hose connections, see "Connect the Inlet Hoses."

---

## Dispensers clogged or leaking

---

- **Are the laundry products in the correct dispenser compartment?**

- Add the correct amounts of detergent, oxi/color-safe bleach, fabric softener, or liquid chlorine bleach to the correct compartments.

- **Is the detergent type selector in the correct position?**

- Selector should be on the right for liquid detergent and to the left for powdered detergent.

---

## Washer odor

---

- **See "Cleaning Your Washer."**

- **Are you using HE detergent?**

- Use of non-HE detergent can cause a film residue which can result in odor.

- **Did you leave the door open after use?**

- This washer has a tight seal to avoid water leaks. To avoid odors leave the door open to allow the washer to dry between uses.

---

## Load too wet

---

- **Did you use the right cycle for the load being washed?**

- Select a cycle with a higher spin speed.

- **Did you wash a single item or bulky items or have you overloaded the washer?**

- A single item, bulky items, or overloading may cause imbalance. Add items or try to evenly distribute your wet laundry in the drum, and start a Drain & Spin cycle. If the laundry is still wet, take half of the load out of the washer and try again.

- NOTE:** Use of the Max Extract™ option is recommended for heavy loads.

---

## Residue or lint on load

---

- **Did you add detergent to the dispenser?**

- For best results, add detergent to the detergent compartment. Do not add detergent to the washer drum.

- **Did you sort properly?**

- Sort lint givers (towels, chenille) from lint takers (corduroy, synthetics). Also sort by color.

- **Did you overload the washer?**

- Do not overload the washer. The washer can be fully loaded, but not tightly packed. The wash load must be balanced. Lint can be trapped in the load if overloaded.

- **Check the following:**

- Was paper or tissue left in pockets?

---

- **Did you use enough HE detergent?**  
Use enough detergent to remove lint and hold it in suspension. Use only HE detergent. Follow the manufacturer's instructions to determine the amount of detergent to use.
- **Is your water colder than 60°F (15.6°C)?**  
Wash water colder than 60°F (15.6°C) may not completely dissolve the detergent.
- **Are you using a low speed wash cycle?**  
Powdered detergents may not dissolve well in a slow-speed cycle. For best results, use liquid detergent for slow-speed cycles such as Delicate, Wool, and Handwash.

---

### Stains on load

---

- **Did you add detergent to the dispenser?**  
For best results, add detergent to the detergent compartment. Do not add detergent to the washer drum.
- **Did you use enough HE detergent?**  
Use enough detergent to remove soil and hold it in suspension. Use only HE detergent. Follow the manufacturer's instructions to determine the amount of detergent to use.
- **Is there above average iron (rust) in water?**  
You may need to install an iron filter.
- **Did you properly sort the load?**  
Sort dark clothes from whites and lights.
- **Did you unload the washer promptly?**  
To avoid the transfer of dye, unload the washer as soon as it stops.
- **Did you use a fabric softener dispensing ball?**  
Dispensing balls will not operate correctly with this washer. Add liquid fabric softener to the fabric softener compartment.
- **Did you use powdered detergent in a low-speed cycle?**  
Consider using liquid detergent.
- **Did you use Quick Wash on a large load?**  
For best results, use Quick Wash for small, lightly soiled loads.

---

### Load is wrinkled

---

- **Did you unload the washer promptly?**  
Unload the washer as soon as it stops.
- **Did you use the right cycle for the load being washed?**  
Use the Delicate cycle or another cycle with a low spin speed to reduce wrinkling.
- **Did you overload the washer?**  
The wash load must be balanced and not overloaded. Loads should tumble freely during washing.

---

### Gray whites, dingy colors

---

- **Did you properly sort the load?**  
The transfer of dye can occur when mixing whites and colors in a load. Sort dark clothes from whites and lights.
- **Was the wash temperature too low?**  
Use hot or warm washes if safe for the load. Make sure your hot water system is adequate to provide a hot water wash.
- **Did you use enough detergent, or do you have hard water?**  
Use more detergent for washing heavy soils in cold or hard water.

---

### Cycle too long

---

- **Did you choose the Whitest Whites cycle?**  
The heater will be activated to provide maximum cleaning performance. Additional time will be added to the regular cycle to heat the water. This additional time will depend on the load size and the hot water inlet temperature.
- **Is "SUD" shown in the display?**  
Excessive sudsing has been detected and a suds routine has been started to destroy excessive suds. This routine will add time to the original cycle.
- **Did you wash a large load using the Quick Wash cycle?**  
The Quick Wash cycle is designed for smaller load sizes (2-3 items of lightly soiled garments). If larger loads are washed using this cycle, wash time will be increased.
- **Did you wash a large load using a gentle cycle?**  
When using the Delicate, Handwash, and Wool cycles, you should wash small loads. This ensures a gentle wash for your garments without increasing cycle times.
- **Did the load cause imbalance?**  
When too much imbalance occurs, an imbalance routine will start to redistribute the load. During the imbalance routine, the time displayed may pause until this activity is complete, then resume with the remainder of the cycle.

---

### Door locked at end of wash cycle

---

- **Did all of the water drain out of the washer during the spin?**  
Select DRAIN & SPIN to remove any water remaining in the washer. The washer door will unlock at the end of the drain.

# ASSISTANCE OR SERVICE

Before calling for assistance or service, please check "Troubleshooting." It may save you the cost of a service call. If you still need help, follow the instructions below.

When calling, please know the purchase date and the complete model and serial number of your appliance. This information will help us to better respond to your request.

## If you need replacement parts

If you need to order replacement parts, we recommend that you use only factory specified parts. Factory specified parts will fit right and work right because they are made with the same precision used to build every new Maytag® appliance.

To locate factory specified parts in your area, call the Maytag Services, LLC Customer Assistance telephone number, or your nearest designated service center.

## In the U.S.A.

Call the Maytag Services, LLC Customer Assistance toll free: **1-800-688-9900**.

### Our consultants provide assistance with:

- Features and specifications on our full line of appliances.
- Installation information.
- Use and maintenance procedures.
- Accessory and repair parts sales.
- Specialized customer assistance (Spanish speaking, hearing impaired, limited vision, etc.).
- Referrals to local dealers, repair parts distributors, and service companies. Maytag® appliances designated service technicians are trained to fulfill the product warranty and provide after-warranty service, anywhere in the United States.

To locate the Maytag® appliances designated service company in your area, you can also look in your telephone directory Yellow Pages.

### For further assistance

If you need further assistance, you can write to Maytag® appliances with any questions or concerns at:

Maytag Services, LLC  
ATTN: CAIR® Center  
P.O. Box 2370  
Cleveland, TN 37320-2370

Please include a daytime phone number in your correspondence.

## In Canada

Call the Whirlpool Canada LP Customer eXperience Centre toll free: **1-800-807-6777**.

### Our consultants provide assistance with:

- Features and specifications on our full line of appliances.
- Use and maintenance procedures.
- Accessory and repair parts sales.
- Referrals to local dealers, repair parts distributors, and service companies. Whirlpool Canada LP designated service technicians are trained to fulfill the product warranty and provide after-warranty service, anywhere in Canada.

### For further assistance

If you need further assistance, you can write to Whirlpool Canada LP with any questions or concerns at:

Customer eXperience Centre  
Whirlpool Canada LP  
1901 Minnesota Court  
Mississauga, Ontario L5N 3A7

Please include a daytime phone number in your correspondence.

# MAYTAG® LAUNDRY WARRANTY

## LIMITED WARRANTY

For one year from the date of purchase, when this major appliance is operated and maintained according to instructions attached to or furnished with the product, Maytag brand of Whirlpool Corporation or Whirlpool Canada LP (hereafter "Maytag") will pay for factory specified parts and repair labor to correct defects in materials or workmanship that existed when this major appliance was purchased. Service must be provided by a Maytag designated service company. YOUR SOLE AND EXCLUSIVE REMEDY UNDER THIS LIMITED WARRANTY SHALL BE PRODUCT REPAIR AS PROVIDED HEREIN. This limited warranty is valid only in the United States or Canada and applies only when the major appliance is used in the country in which it was purchased. Proof of original purchase date is required to obtain service under this limited warranty.

## ITEMS EXCLUDED FROM WARRANTY

### This limited warranty does not cover:

1. Replacement parts or repair labor if this major appliance is used for other than normal, single-family household use or when it is used in a manner that is inconsistent to published user or operator instructions and/or installation instructions.
2. Service calls to correct the installation of your major appliance, to instruct you on how to use your major appliance, to replace or repair house fuses, or to correct house wiring or plumbing.
3. Service calls to repair or replace appliance light bulbs, air filters or water filters. Consumable parts are excluded from warranty coverage.
4. Damage resulting from accident, alteration, misuse, abuse, fire, flood, acts of God, improper installation, installation not in accordance with electrical or plumbing codes, or use of products not approved by Maytag.
5. Cosmetic damage, including scratches, dents, chips or other damage to the finish of your major appliance, unless such damage results from defects in materials or workmanship and is reported to Maytag within 30 days from the date of purchase.
6. Pick up and delivery. This major appliance is intended to be repaired in your home.
7. Repairs to parts or systems resulting from unauthorized modifications made to the appliance.
8. Expenses for travel and transportation for product service if your major appliance is located in a remote area where service by an authorized Maytag servicer is not available.
9. The removal and reinstallation of your major appliance if it is installed in an inaccessible location or is not installed in accordance with Maytag's published installation instructions.
10. Replacement parts or repair labor on major appliances with original model/serial numbers that have been removed, altered, or cannot be easily determined.

## DISCLAIMER OF IMPLIED WARRANTIES

IMPLIED WARRANTIES, INCLUDING ANY IMPLIED WARRANTY OF MERCHANTABILITY OR IMPLIED WARRANTY OF FITNESS FOR A PARTICULAR PURPOSE, ARE LIMITED TO ONE YEAR OR THE SHORTEST PERIOD ALLOWED BY LAW. Some states and provinces do not allow limitations on the duration of implied warranties of merchantability or fitness, so this limitation may not apply to you. This warranty gives you specific legal rights, and you also may have other rights that vary from state to state or province to province.

## LIMITATION OF REMEDIES; EXCLUSION OF INCIDENTAL AND CONSEQUENTIAL DAMAGES

YOUR SOLE AND EXCLUSIVE REMEDY UNDER THIS LIMITED WARRANTY SHALL BE PRODUCT REPAIR AS PROVIDED HEREIN. MAYTAG SHALL NOT BE LIABLE FOR INCIDENTAL OR CONSEQUENTIAL DAMAGES. Some states and provinces do not allow the exclusion or limitation of incidental or consequential damages, so these limitations and exclusions may not apply to you. This warranty gives you specific legal rights, and you also may have other rights that vary from state to state or province to province.

If outside the 50 United States and Canada, contact your authorized Maytag dealer to determine if another warranty applies.

If you think you need repair service, first see the "Troubleshooting" section of the Use & Care Guide. If you are unable to resolve the problem after checking "Troubleshooting," additional help can be found by checking the "Assistance or Service" section or by calling Maytag. In the U.S.A., call **1-800-688-9900**. In Canada, call **1-800-807-6777**. 6/08

### Keep this book and your sales slip together for future reference. You must provide proof of purchase or installation date for in-warranty service.

Write down the following information about your major appliance to better help you obtain assistance or service if you ever need it. You will need to know your complete model number and serial number. You can find this information on the model and serial number label located on the product.

Dealer name \_\_\_\_\_

Address \_\_\_\_\_

Phone number \_\_\_\_\_

Model number \_\_\_\_\_

Serial number \_\_\_\_\_

Purchase date \_\_\_\_\_

# SÉCURITÉ DE LA LAVEUSE

## Votre sécurité et celle des autres est très importante.

Nous donnons de nombreux messages de sécurité importants dans ce manuel et sur votre appareil ménager. Assurez-vous de toujours lire tous les messages de sécurité et de vous y conformer.



Voici le symbole d'alerte de sécurité.

Ce symbole d'alerte de sécurité vous signale les dangers potentiels de décès et de blessures graves à vous et à d'autres.

Tous les messages de sécurité suivront le symbole d'alerte de sécurité et le mot "DANGER" ou "AVERTISSEMENT". Ces mots signifient :

 **DANGER**

**Risque possible de décès ou de blessure grave si vous ne suivez pas immédiatement les instructions.**

 **AVERTISSEMENT**

**Risque possible de décès ou de blessure grave si vous ne suivez pas les instructions.**

Tous les messages de sécurité vous diront quel est le danger potentiel et vous disent comment réduire le risque de blessure et ce qui peut se produire en cas de non-respect des instructions.

## IMPORTANTES INSTRUCTIONS DE SÉCURITÉ

**AVERTISSEMENT :** Pour réduire les risques d'incendie, de choc électrique ou de blessures lors de l'utilisation de la laveuse, suivre les précautions fondamentales dont les suivantes :

- Lire toutes les instructions avant d'utiliser la laveuse.
- Ne pas laver des articles qui ont été nettoyés ou lavés avec de l'essence ou imbibés d'essence, solvants de nettoyage à sec, ou autres substances inflammables ou explosives; ces substances peuvent émettre des vapeurs susceptibles de s'enflammer ou d'exploser.
- Ne pas ajouter d'essence, solvant de nettoyage à sec ou autre produit inflammable ou explosif dans l'eau de lavage. Ces substances peuvent émettre des vapeurs susceptibles de s'enflammer ou d'exploser.
- Dans certaines conditions, de l'hydrogène gazeux peut se former dans un circuit d'eau chaude qui n'a pas été utilisé pendant 2 semaines ou plus. LE GAZ HYDROGÈNE EST EXPLOSIBLE. Si le circuit d'eau chaude n'a pas été utilisé pendant une telle période, avant d'utiliser la laveuse, ouvrir tous les robinets d'eau chaude et laisser l'eau s'écouler pendant plusieurs minutes par chaque robinet. Ceci permettra l'évacuation de l'hydrogène gazeux accumulé. Comme ce gaz est inflammable, ne pas fumer ou utiliser une flamme nue au cours de cette période.
- Ne pas laisser des enfants jouer sur ou à l'intérieur de la laveuse. Bien surveiller les enfants lorsque la laveuse est utilisée à proximité d'enfants.
- Avant de mettre la laveuse au rebut ou hors de service, enlever la porte ou le couvercle.
- Ne pas tenter d'atteindre un article à l'intérieur de la cuve de la laveuse lorsque le tambour, la cuve ou l'agitateur est en mouvement.
- Ne pas installer ou remiser cette laveuse à un endroit où elle serait exposée aux intempéries.
- Ne pas modifier les organes de commande.
- Ne pas réparer ou remplacer un composant quelconque de la laveuse, ni entreprendre une opération de service, si ce n'est spécifiquement recommandé dans ce manuel ou dans un manuel d'instructions de réparations destiné à l'utilisateur; il est alors essentiel que la personne concernée comprenne ces instructions et soit compétente pour les exécuter.
- Voir "Spécifications électriques" pour les instructions de liaison à la terre.

**CONSERVEZ CES INSTRUCTIONS**

Avertissements de la proposition 65 de l'État de Californie :

**AVERTISSEMENT :** Ce produit contient un produit chimique connu par l'État de Californie pour être à l'origine de cancers.

**AVERTISSEMENT :** Ce produit contient un produit chimique connu par l'État de Californie pour être à l'origine de malformations et autres déficiences de naissance.

## EXIGENCES D'INSTALLATION

### Outillage et pièces

Rassembler les outils et pièces nécessaires avant de commencer l'installation. Les pièces fournies se trouvent dans le tambour de la laveuse.

#### Outils nécessaires pour raccorder les tuyaux d'arrivée d'eau

- Pince (ouverture jusqu'à 1<sup>9</sup>/<sub>16</sub>" [39,5 mm])
- Lampe de poche (facultative)

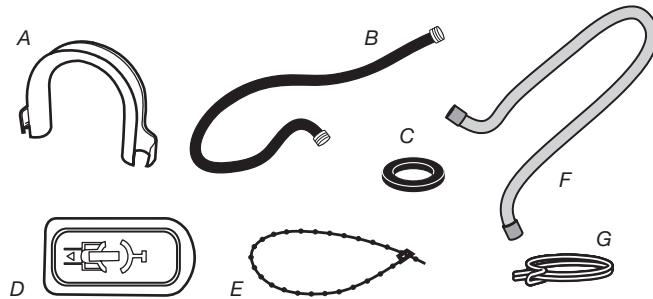
## Outils nécessaires pour le raccordement du tuyau de vidange

- Pince multiprise (ouverture jusqu'à 19/16" [39,5 mm])

## Outils nécessaires pour l'installation

- Clés plates de 17 mm et de 13 mm
- Niveau
- Bloc de bois
- Règle ou ruban à mesurer

## Pièces fournies :



A. Bride de retenue du tuyau de vidange

B. Tuyau d'arrivée d'eau (2)

C. Rondelles du tuyau d'arrivée d'eau (4)

D. Bouchon du trou du boulon de transport (4)

E. Courroie perlée

F. Tuyau de vidange

G. Bride de tuyau

## Autres pièces

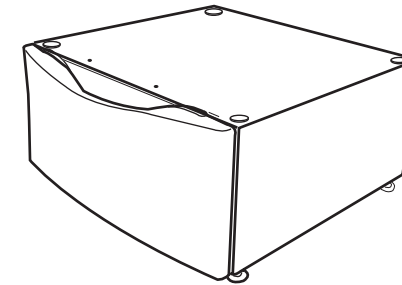
Il se peut que l'installation nécessite des pièces supplémentaires. Pour acheter l'un des articles indiqués ici, composer le numéro sans frais indiqué sur la couverture ou à la section "Assistance ou service".

Si vous avez	Vous devrez acheter
Évier de buanderie ou tuyau de rejet à l'égout plus haut que 96" (2,4 m)	Système de pompe de puisard (si non déjà disponible)
Égout surélevé	Évier de vidange standard de 20 gal. (76 L) de 30" (762 mm) de hauteur ou évier utilitaire et pompe de puisard (disponibles chez votre fournisseur local d'articles de plomberie)
Égout au plancher	Brise-siphon, Pièce numéro 285834, tuyau de vidange supplémentaire, Pièce numéro 8318155 et kit de connexion, Pièce numéro 285835
Tuyau de vidange trop court	Trousse de rallonge du tuyau de vidange de 4 pi (1,2 m), Pièce numéro 285863
Robinetts d'eau hors d'atteinte des tuyaux d'admission	2 tuyaux d'admission d'eau plus longs : 6 pi (1,8 m) - Pièce numéro 76314, 10 pi (3 m) - Pièce numéro 350008

## Options

### Piédestal

Un piédestal augmentera la hauteur totale de la laveuse pour une hauteur totale d'environ 53,5" (1359 mm).



Piédestal facultatif

Le piédestal est disponible en plusieurs couleurs.

Pour commander, téléphoner au marchand chez qui la laveuse a été achetée ou se référer à la section "Assistance ou service".

Hauteur du piédestal	Couleur	Pièce n°
10" (254 mm)	Blanc	MHP1000SQ
10" (254 mm)	Noir	MHP1000SB
15,5" (394 mm)	Blanc	XHP1550VW
15,5" (394 mm)	Noir	XHP1550VB
15,5" (394 mm)	Ardoise	XHP1550VE
15,5" (394 mm)	Rouge érable	XHP1550VF
15,5" (394 mm)	Oxyde	XHP1550VJ
15,5" (394 mm)	Vert éclatant	XHP1550VP

## Ensemble de superposition

Prévoyez-vous de superposer votre laveuse et votre sècheuse Maytag? Pour ce faire, vous devrez acheter un ensemble de superposition.

Pour commander, téléphoner au marchand chez qui vous avez acheté votre sècheuse ou consulter la section "Assistance ou service". Demander la pièce numéro 8212640.

## Exigences d'emplacement

Le choix d'un emplacement approprié pour la laveuse en améliore le rendement et réduit au minimum le bruit et le "déplacement" de la laveuse.

La laveuse peut être installée sous un comptoir personnalisé, dans un sous-sol, une salle de buanderie, un placard ou un encastrement. Voir "Système de vidange".

Il faut aussi prendre en compte les exigences d'emplacement des appareils voisins. C'est à l'utilisateur qu'incombe la responsabilité de réaliser une installation correcte.

### Il vous faudra

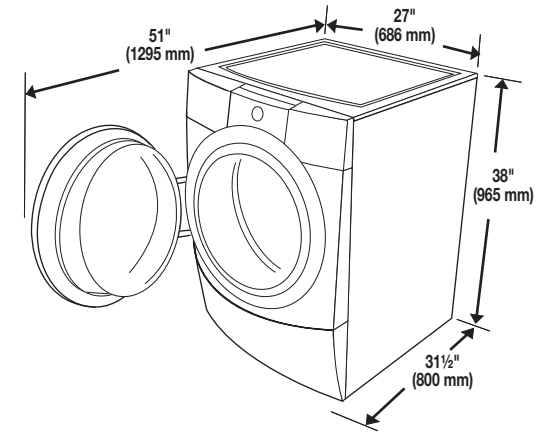
- Un chauffe-eau pour fournir de l'eau à 120°F (49°C) à la laveuse.
- Une prise électrique reliée à la terre située à moins de 6 pi (1,8 m) de la prise du cordon électrique se trouvant à l'arrière de la laveuse. Voir "Spécifications électriques".
- Des robinets d'eau chaude et d'eau froide situés à moins de 4 pi (1,2 m) des robinets d'admission d'eau chaude et d'eau froide, et une pression d'eau de 20-100 lb/po<sup>2</sup> (137,9-689,6 kPa).
- Un plancher de niveau ayant une pente maximale de 1" (25 mm) sous l'ensemble de la laveuse. L'installation de la laveuse sur des surfaces de sol molles, telles que tapis ou surfaces avec sous-couche en mousse n'est pas recommandée.
- Un plancher robuste et solide capable de soutenir le poids total de la laveuse (eau et charge) de 400 lb (180 kg).

Ne pas faire fonctionner la laveuse à des températures inférieures à 32°F (0°C). Une quantité d'eau peut demeurer dans la laveuse et causer des dommages à des températures basses.

### Dégagements de séparation à respecter

- L'emplacement doit être assez grand pour permettre d'ouvrir complètement la porte de la laveuse.
- Prévoir davantage d'espace pour faciliter l'installation et l'entretien.
- Un espace supplémentaire peut être requis pour les moulures de porte et de plancher et pour les plinthes.
- Un espace supplémentaire de 1" (25 mm) de tous les côtés de la laveuse est recommandé pour réduire le transfert du bruit.
- Il faut aussi prendre en compte l'espace requis entre les appareils voisins.

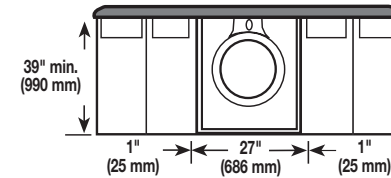
## Dimensions de la laveuse



## Espacement recommandé pour une installation personnalisée sous un comptoir

Les dimensions indiquées sont pour l'espace recommandé.

### Installation personnalisée sous un comptoir - laveuse seulement

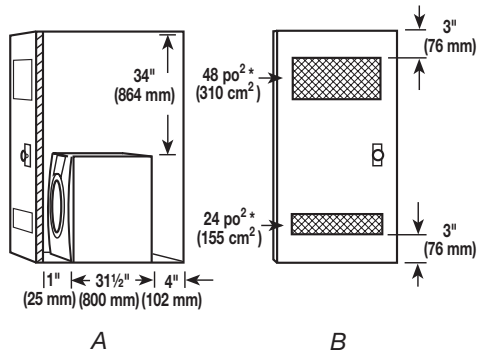




## Espacement recommandé pour une installation dans un encastrement ou dans un placard, avec ou sans piédestal

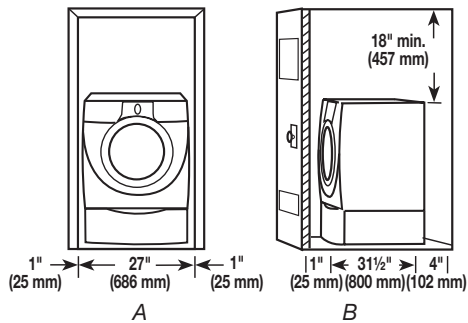
Les dimensions indiquées sont pour l'espace recommandé.

### Installation dans un encastrement ou placard



A. Vue latérale - placard ou endroit exigu  
B. Porte de placard avec orifices d'entrée d'air

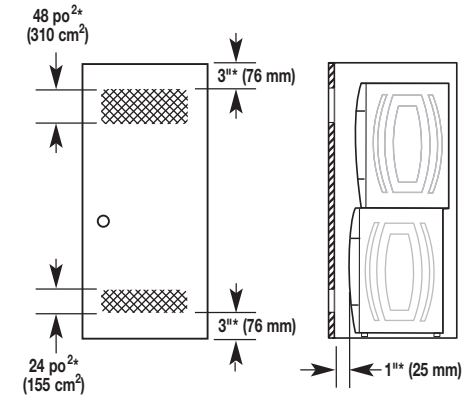
### Installation dans un encastrement ou placard - laveuse sur piédestal



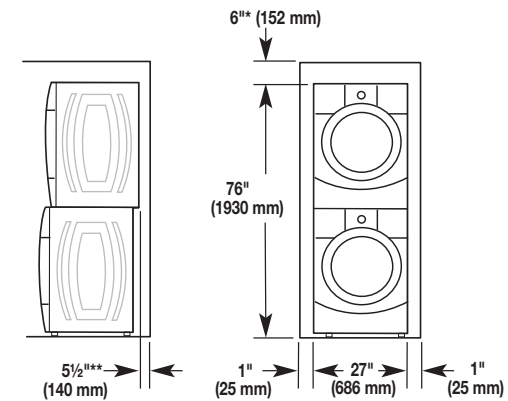
A. Encastrement  
B. Vue latérale - placard ou endroit exigu

## Espacement recommandé pour une installation dans un encastrement ou dans un placard, avec laveuse et sècheuse superposées

Les dimensions indiquées sont pour l'espace recommandé.



\*Espace requis



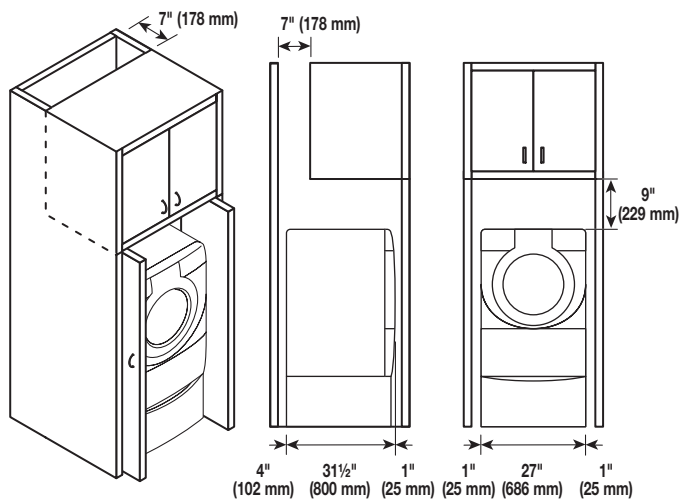
\*Espace requis

\*\* En cas d'évacuation par le côté, un espacement de 1" (25 mm) est permis.

## Espacement recommandé pour l'installation dans un placard

■ Les dimensions indiquées sont pour l'espace recommandé.

- Pour installation dans un placard avec porte, on doit prévoir des ouvertures minimums d'entrée d'air au sommet du placard.



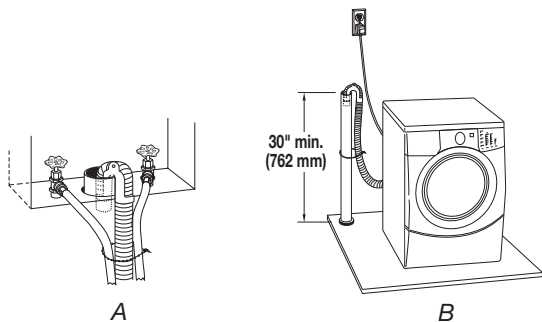
## Système de vidange

La laveuse peut être installée en utilisant le système de rejet à l'égoût (au plancher ou mural), le système de vidange de l'évier de buanderie, ou le système de vidange au plancher. Sélectionner la méthode d'installation du tuyau de vidange selon les besoins. Voir "Outillage et pièces".

### Système de vidange avec tuyau de rejet à l'égoût - mural ou au plancher (vues A et B)

Le système de rejet à l'égoût nécessite un tuyau de diamètre minimum de 2" (50 mm). La capacité minimale d'acheminement ne doit pas être inférieure à 17 gal. (64 L) par minute.

Le sommet du tuyau de rejet à l'égoût doit être au moins à 30" (762 mm) de hauteur et au maximum à 96" (2,4 m) de la base de la laveuse.



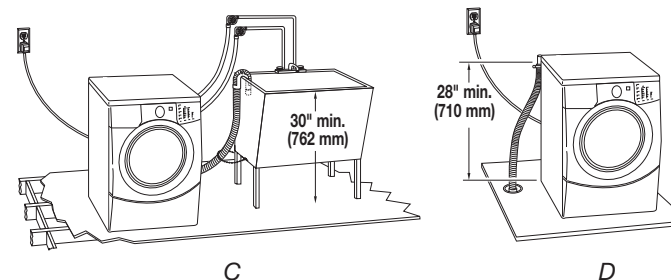
### Système de vidange avec évier de buanderie (vue C)

L'évier de buanderie doit avoir une capacité minimale de 20 gal. (76 L). La partie supérieure de l'évier de buanderie doit être à au moins 30" (762 mm) au-dessus du plancher.

### Système de vidange au plancher (vue D)

Le système de vidange au plancher nécessite un brise-siphon qui peut être acheté séparément. Voir "Outillage et pièces".

Le brise-siphon doit être au moins à 28" (711 mm) de la base de la laveuse. Des tuyaux supplémentaires peuvent être requis.



## Spécifications électriques

### ⚠ AVERTISSEMENT



#### Risque de choc électrique

**Brancher sur une prise à 3 alvéoles reliée à la terre.**

**Ne pas enlever la broche de liaison à la terre.**

**Ne pas utiliser un adaptateur.**

**Ne pas utiliser un câble de rallonge.**

**Le non-respect de ces instructions peut causer un décès, un incendie ou un choc électrique.**

- Une alimentation de 120 volts, 60 Hz, CA seulement, de 15 ou 20 ampères, protégée par un fusible est requise. On recommande l'emploi d'un fusible ou d'un disjoncteur temporisé. Il est recommandé de raccorder l'appareil sur un circuit distinct exclusif à cet appareil.
- Cette laveuse comporte un cordon d'alimentation électrique avec fiche de liaison à la terre à trois broches.
- Pour minimiser les risques de choc électrique, on doit brancher le cordon sur une prise de courant de configuration correspondante, à 3 alvéoles, reliée à la terre et installée conformément aux codes et règlements locaux. Si une prise de courant de configuration correspondante n'est pas disponible, le client a la responsabilité et l'obligation de faire installer par un électricien qualifié une prise de courant correctement reliée à la terre.

- Si les codes le permettent et si on utilise un conducteur distinct de liaison à la terre, il est recommandé qu'un électricien qualifié vérifie la qualité de la liaison à la terre.
- Ne pas utiliser une tuyauterie de gaz pour le raccordement à la terre.
- En cas de doute quant à la qualité de la liaison à la terre de la laveuse, consulter un électricien qualifié.
- Ne pas installer un fusible dans le conducteur neutre ou le conducteur de liaison à la terre.

### INSTRUCTIONS DE LIAISON À LA TERRE

#### Pour une laveuse reliée à la terre et connectée par un cordon :

Cette laveuse doit être reliée à la terre. En cas d'anomalie de fonctionnement ou de panne, la liaison à la terre réduira le risque de choc électrique en offrant au courant électrique un itinéraire d'évacuation de moindre résistance. Cette laveuse est alimentée par un cordon électrique comportant un conducteur relié à la terre et une fiche de branchement munie d'une broche de liaison à la terre. La fiche doit être branchée sur une prise de courant appropriée qui est bien installée et reliée à la terre conformément à tous les codes et règlements locaux.

**AVERTISSEMENT :** Le raccordement incorrect de cet appareil au conducteur de liaison à la terre peut susciter un risque de choc électrique. En cas de doute quant à la qualité de la liaison à la terre de l'appareil, consulter un électricien ou technicien d'entretien qualifié.

Ne pas modifier la fiche de branchement fournie avec l'appareil – si la fiche ne correspond pas à la configuration de la prise de courant, demander à un électricien qualifié d'installer une prise de courant convenable.

#### Pour une laveuse raccordée en permanence :

Cette laveuse doit être raccordée à un système de câblage permanent en métal relié à la terre ou un conducteur relié à la terre doit être en fonction avec les conducteurs de circuit et raccordés à la borne de liaison à la terre ou la borne sur l'appareil ménager.

# INSTRUCTIONS D'INSTALLATION

## Élimination des accessoires de transport

### ⚠ AVERTISSEMENT

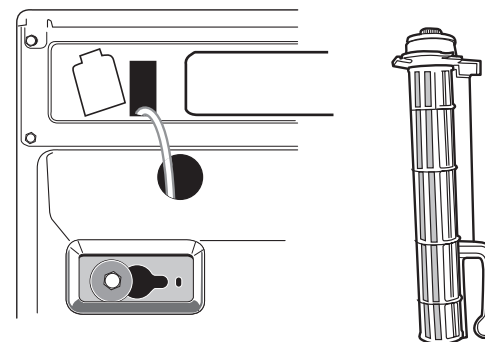
Risque du poids excessif

Utiliser deux ou plus de personnes pour déplacer et installer la laveuse.

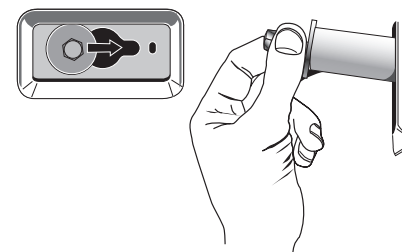
Le non-respect de cette instruction peut causer une blessure au dos ou d'autre blessure.

**IMPORTANT :** Positionner la laveuse de sorte que l'arrière de l'appareil soit à environ 3 pi (900 mm) de son emplacement final.

Sur le panneau arrière de la laveuse, 4 boulons supportent le système de suspension durant le transport. Ces boulons retiennent aussi le cordon d'alimentation à l'intérieur de la laveuse jusqu'à ce qu'on les retire.



1. Au moyen d'une clé de 13 mm, desserrer chaque boulon.
2. Une fois le boulon desserré, le déplacer au centre du trou et le retirer complètement, y compris la cale d'espacement en plastique couvrant le boulon.



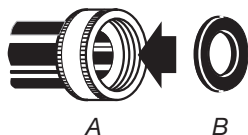
3. Une fois que les 4 boulons ont été retirés, jeter les boulons et les cales d'espacement. Puis tirer le cordon d'alimentation à travers l'ouverture du panneau arrière et obturer le trou avec le bouchon fourni.

4. Obturer les trous des boulons avec les 4 bouchons pour les trous des boulons de transport.

**REMARQUE :** Si la laveuse doit être transportée à une date ultérieure, appeler le centre de service local. Pour éviter d'endommager la suspension et la structure de la laveuse, celle-ci doit être correctement montée pour une réinstallation par un électricien.

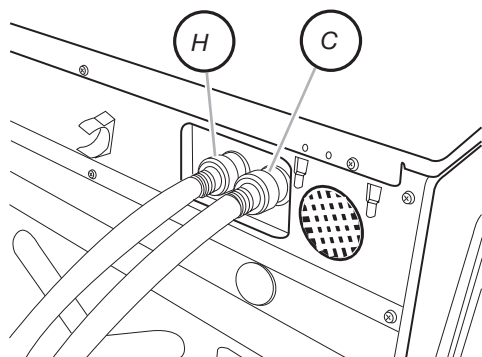
## Raccordement des tuyaux d'alimentation

1. Insérer les rondelles plates neuves (fournies) dans chaque extrémité des tuyaux d'arrivée d'eau. Insérer fermement les rondelles dans les raccords.



A. Raccord  
B. Rondelle

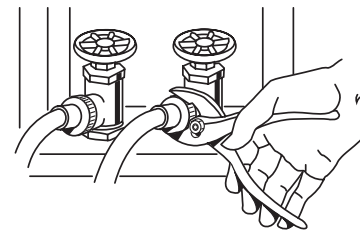
2. S'assurer que le tambour de la laveuse est vide.
3. Raccorder le tuyau à indicateur rouge à la valve du tuyau d'alimentation d'eau chaude (à gauche). Le fait d'attacher d'abord le tuyau à raccord rouge permet de resserrer plus facilement la connexion avec une pince. Visser complètement le raccord à la main pour qu'il comprime la rondelle.
4. Raccorder le tuyau à indicateur bleu à la valve du tuyau d'alimentation d'eau froide (à droite). Visser complètement le raccord à la main pour qu'il comprime la rondelle.



H. Tuyau d'arrivée d'eau chaude  
C. Tuyau d'arrivée d'eau froide

5. À l'aide d'une pince, vérifier l'étanchéité des raccords de tuyaux déjà reliés à la laveuse.  
**REMARQUE :** Ne pas serrer excessivement. Le raccord risque d'être endommagé.
6. Raccorder le tuyau d'eau chaude au robinet d'eau chaude. Visser complètement le raccord à la main pour qu'il comprime la rondelle.
7. Raccorder le tuyau d'eau froide au robinet d'eau froide. Visser complètement le raccord à la main pour qu'il comprime la rondelle.

8. Terminer le serrage des raccords - deux tiers de tour avec une pince.



**REMARQUE :** Ne pas serrer excessivement. Le raccord risque d'être endommagé.

9. Ouvrir les robinets d'eau et vérifier s'il y a des fuites.

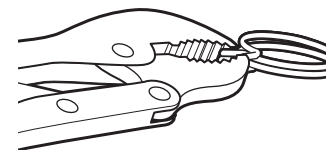
**REMARQUE :** Remplacer les tuyaux d'arrivée d'eau après 5 ans d'utilisation pour réduire le risque de défaillance intempestive. Prendre note de la date d'installation ou de remplacement des tuyaux d'arrivée d'eau, pour référence ultérieure.

10. Inspecter périodiquement les tuyaux; les remplacer en cas de renflement, de déformation, de coupure, d'usure ou si une fuite se manifeste.

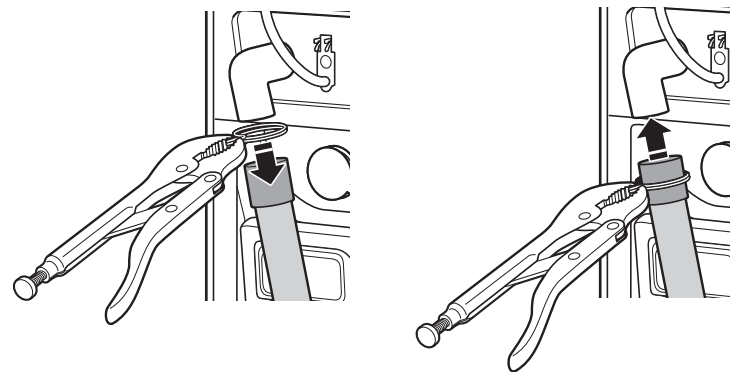
## Raccordement du tuyau de vidange

### Libération du tuyau de vidange fixé sur le tambour de la laveuse

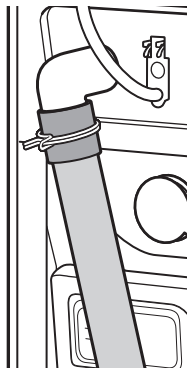
1. À l'aide d'une pince multiprise, serrer les deux onglets de la bride de tuyau et insérer la bride sur l'extrémité du tuyau de vidange.



2. Faire glisser le tuyau de vidange sur le raccord de la laveuse.



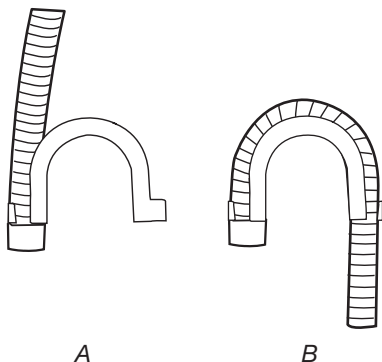
- Une fois le tuyau de vidange en place, relâcher la prise de la pince.



- Le système de vidange de la laveuse peut être installé à l'aide d'un conduit d'évacuation au plancher, un tuyau de rejet à l'égout - mural ou au plancher ou un évier de buanderie.

### Décharge de l'eau de lavage dans un évier de buanderie ou tuyau de rejet à l'égout

Connecter la bride de retenue pour tuyau de vidange sur le tuyau de vidange ondulé.



A. Emboîter une extrémité ou l'autre de la bride de retenue pour tuyau de vidange sur le tuyau de vidange, au point de commencement des ondulations.

B. Plier le tuyau de vidange pour le mettre au contact de la bride de retenue du tuyau de vidange, et l'emboîter pour la mise en place.

### Pour empêcher l'eau de vidange de refluer dans la laveuse :

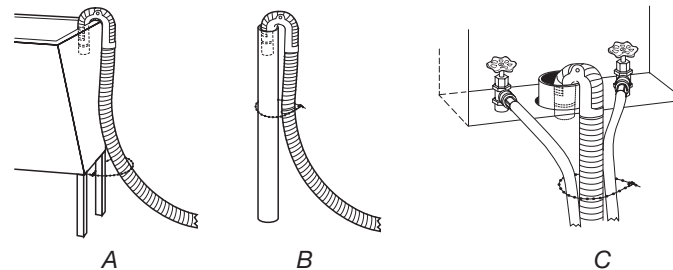
- Ne pas redresser le tuyau de vidange ni forcer l'excédent de tuyau dans le tuyau de rejet à l'égout. Le tuyau doit être bien immobilisé, tout en permettant le passage d'air.
- Ne pas mettre l'excédent du tuyau de vidange dans le fond de l'évier de buanderie.

### Égout au plancher

Il vous faudra peut-être des pièces supplémentaires. Voir Égout au plancher dans "Outillage et pièces".

## Immobilisation du tuyau de vidange

- Faire passer le cordon d'alimentation par-dessus la laveuse.
- Fixer le tuyau de vidange au pied de l'évier de buanderie ou au tuyau rigide de rejet à l'égout avec la courroie perlée fournie. (Voir les illustrations A et B.)



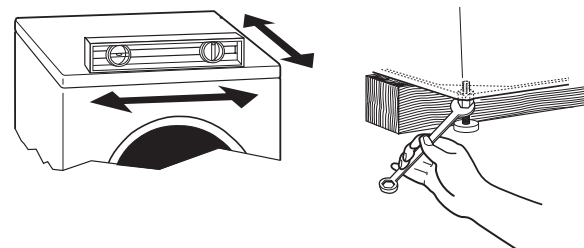
Si les robinets d'eau et le tuyau rigide de rejet à l'égout sont placés en retrait (voir illustration C), introduire l'extrémité en col de cygne du tuyau de vidange dans le tuyau rigide de rejet à l'égout. Attacher fermement les tuyaux d'arrivée d'eau et le tuyau de vidange ensemble, avec la courroie perlée.

Ne pas forcer l'excédent du tuyau de vidange dans le tuyau rigide de rejet à l'égout.

## Réglage de l'aplomb de la laveuse

Un bon aplomb de la laveuse évite le bruit et les vibrations excessifs.

- Utiliser un niveau placé sur le bord supérieur de la laveuse pour contrôler l'aplomb, d'abord transversalement, puis dans le sens avant/arrière.



Si la laveuse est placée contre un mur, on doit l'écartier légèrement du mur avant de l'incliner vers l'arrière. Si la laveuse n'est pas d'aplomb, soulever l'avant de la laveuse avec une cale de bois et ajuster la position des pieds selon le besoin; soulever ensuite l'arrière de la laveuse et ajuster la longueur des pieds selon le besoin. Répéter ces opérations jusqu'à l'obtention d'un aplomb correct de la laveuse.

- Vérifier que les quatre pieds sont stables et reposent sur le sol. Vérifier ensuite que l'appareil est parfaitement d'aplomb (utiliser un niveau).
- Après avoir établi l'aplomb correct de la laveuse, utiliser une clé plate de 17 mm pour serrer l'écrou de chaque pied contre la caisse de la laveuse.

**IMPORTANT :** Les 4 pieds doivent être bien serrés. Si les écrous ne sont pas bloqués contre la caisse de la laveuse, la laveuse peut vibrer.

- La laveuse ne doit pas bouger d'avant en arrière, latéralement ou transversalement lorsqu'on appuie sur les bords supérieurs.
- Faire glisser la laveuse à son emplacement final.
- Vérifier le bon aplomb de la laveuse.

## Achever l'installation

- Consulter les spécifications électriques. Vérifier que la tension électrique disponible est correcte et que la prise de courant est convenablement reliée à la terre. Voir "Spécifications électriques".
- Vérifier que toutes les pièces sont maintenant installées. S'il reste une pièce, passer en revue les différentes étapes pour découvrir laquelle aurait été oubliée.
- Vérifier la présence de tous les outils.
- Jeter/recycler tous les matériaux d'emballage.
- Vérifier que les robinets d'eau sont ouverts.
- Vérifier s'il y a des fuites autour des robinets et des tuyaux d'arrivée d'eau.

**⚠ AVERTISSEMENT**



**Risque de choc électrique**

**Brancher sur une prise à 3 alvéoles reliée à la terre.**

**Ne pas enlever la broche de liaison à la terre.**

**Ne pas utiliser un adaptateur.**

**Ne pas utiliser un câble de rallonge.**

**Le non-respect de ces instructions peut causer un décès, un incendie ou un choc électrique.**

- Brancher sur une prise à 3 alvéoles reliée à la terre.
- Lire "Utilisation de la laveuse".
- Pour tester le fonctionnement de la laveuse et la nettoyer, s'assurer qu'il n'y a pas de vêtements dans la laveuse, puis ajouter une tablette AFFRESH™ dans le tambour de la laveuse. Sélectionner POWER/CANCEL, le programme Clean Washer (nettoyage de la laveuse), puis sélectionner START/PAUSE. L'exécution de ce programme dure environ 65 minutes. Laisser la laveuse exécuter le programme complet sans interruption.

## CARACTÉRISTIQUES ET AVANTAGES

### Commandes électroniques

Les commandes électroniques flexibles sont faciles à utiliser, que vous soyez débutant ou expert.

### Distributeurs intelligents

Les distributeurs intelligents rendent votre laveuse véritablement automatique. Cette laveuse comporte un distributeur à quatre compartiments pour le détergent du lavage principal, l'assouplissant de tissu, l'agent de blanchiment, le pré-lavage Oxi ou le trempage automatique. Le distributeur comporte de grandes zones d'écoulement, est autonettoyant, et peut être facilement retiré. Les produits de lessive sont dilués avec de l'eau fraîche et ajoutés à la charge au moment approprié au cours du programme de lavage.

### Nettoyage à la vapeur

Cette laveuse possède un dispositif de nettoyage à la vapeur intégré, combiné à l'option Steam Clean (nettoyage à la vapeur) pour fournir un éventail de températures afin de permettre d'éliminer toute sorte de taches des vêtements. Steam Clean (nettoyage à la vapeur) est efficace avec les programmes Whitest Whites (blancs les plus blancs), Heavy Duty (service intense), et Normal/Casual (normal/tout-aller).

### Distributeur agent de blanchiment Oxi/sans danger pour les couleurs

Grâce à l'option de distributeur d'agent de blanchiment Oxi/sans danger pour les couleurs et l'option Oxi Treat (traitement Oxi), il n'est plus nécessaire de revenir pour verser le traitement anti-taches à base d'oxygène ou l'agent de blanchiment sans danger pour les couleurs. La laveuse ajoute automatiquement ces produits de lessive au programme. Le fait de retarder l'introduction de ces produits de lessive permet de mieux combattre les taches.

### Programme Clean Washer with AFFRESH™ (nettoyage de la laveuse avec AFFRESH™)

Ce programme utilise la vapeur pour augmenter la température de la machine et rend la laveuse autonettoyante en effectuant un rinçage qui élimine toute saleté ou autre résidu de l'intérieur. L'utilisation du nettoyant pour laveuse AFFRESH™ ou d'un agent de blanchiment au chlore liquide avec ce programme éliminera et empêchera la réapparition des résidus à l'origine de mauvaises odeurs.

### Niveau d'eau automatique

Cette laveuse ajuste automatiquement le niveau de l'eau pour un nettoyage et un rinçage parfaits. Deux détecteurs déterminent le volume de la charge, la composition de la charge et le niveau de mousse; ils ajustent ensuite le niveau d'eau au réglage approprié. Ceci supprime la nécessité d'évaluer le niveau d'eau nécessaire. Le niveau d'eau correspond exactement au volume de chaque charge de lavage.

### Super capacité

L'absence d'agitateur permet de laver des articles plus grands et plus encombrants tels qu'un couvre-lit de très grande taille. Vous pouvez aussi laver davantage de vêtements à la fois, ce qui signifie moins de charges.

### **Système de suspension Smooth Balance™**

Pour réduire le “déplacement” ou le “déséquilibre” de la laveuse, celle-ci comprend :

- 2 ressorts pour isoler les vibrations
- 4 amortisseurs à la base de la laveuse pour minimiser le mouvement

### **Tambour en acier inoxydable de qualité commerciale**

Le tambour en acier inoxydable de qualité commerciale élimine la corrosion et permet des vitesses d'essorage plus élevées pour une meilleure évacuation de l'eau et une réduction de la durée de séchage comparé aux laveuses à chargement par l'avant traditionnelles.

### **Système de lavage Haute efficacité**

Votre nouvelle laveuse à chargement frontal Haute efficacité fait gagner du temps en permettant des charges moins nombreuses et plus importantes, et diminue vos factures d'eau et d'énergie en aidant à préserver les ressources.

### **Vitesses d'essorage**

Cette laveuse sélectionne automatiquement la vitesse d'essorage en fonction du programme sélectionné. Ce réglage effectué à l'usine peut toutefois être modifié. Cette laveuse offre jusqu'à cinq choix de vitesses d'essorage différentes.

### **Chauffe-eau**

Cette laveuse comporte un chauffe-eau qui chauffe automatiquement l'eau à la température optimale pour le programme sélectionné. Ceci permet un nettoyage par étapes : l'eau tiède est d'abord introduite et mélangée avec le détergent, puis réchauffée. Le nettoyage par étapes débute le programme de lavage avec de l'eau tiède pour aider à éliminer les taches (de sang ou d'herbe par exemple). Ce dispositif de chauffage est activé avec les programmes Whitest Whites (blancs les plus blancs), Heavy Duty (service intense), et Normal/Casual (normal/tout-aller).

### **Commande automatique de la température**

La commande automatique de la température détecte et maintient électroniquement une température d'eau uniforme. La commande automatique de la température régule l'arrivée d'eau chaude et d'eau froide. La commande automatique de la température est automatiquement activée lorsqu'un programme est sélectionné.

### **Ajout de vêtements**

Il est possible d'ajouter des vêtements à la charge durant les 8 premières minutes du programme. Pendant ce temps, le témoin lumineux indique qu'il est possible d'ajouter des vêtements.

### **Action spéciale de nettoyage avec système de lavage Sensi-Care™**

Cette laveuse achemine 100 % de l'eau par le biais des distributeurs pour assurer un rinçage et un mélange complet de tous les produits avant qu'ils n'entrent en contact avec les vêtements. L'eau est ensuite aspergée du haut à l'avant vers le centre de la charge, fournissant une distribution uniforme et une performance de nettoyage optimale. Il est normal que de petites quantités d'eau demeurent dans les distributeurs lorsque le programme de lavage est achevé.

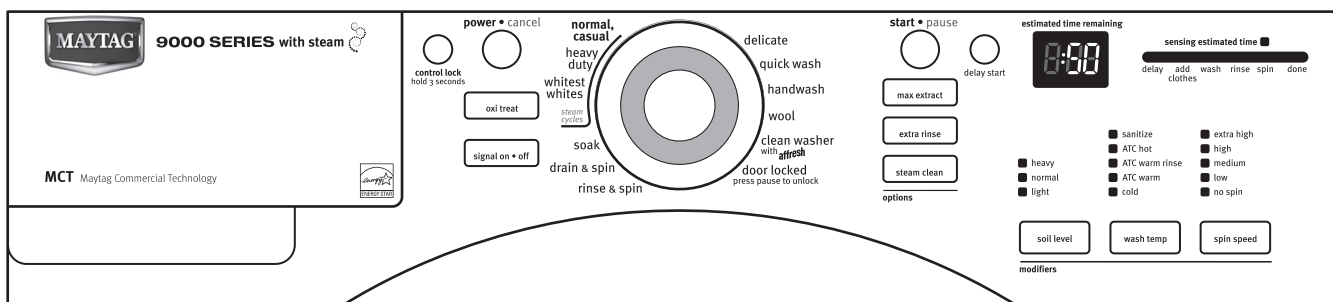
### **Système de détergent efficace**

Cette laveuse est équipée d'une valve spécialement conçue pour se fermer durant l'étape de lavage pour que la totalité du mélange d'eau et de détergent soit utilisée pour la charge. Le système de détergent efficace évite tout gaspillage d'eau ou de détergent.

### **Détection dynamique de déséquilibre**

Cette laveuse utilise deux capteurs pour détecter le volume de la charge et tout déséquilibre au sein de la charge. Le système de suspension et les commandes sont spécialement conçus pour redistribuer la charge automatiquement.

# UTILISATION DE LA LAVEUSE



**REMARQUE :** Le tableau de commande de votre modèle peut différer de celui illustré ci-dessus.

## Mise en marche de la laveuse

**⚠ AVERTISSEMENT**

**Risque d'incendie**

**Ne jamais mettre des articles humectés d'essence ou d'autres fluides inflammables dans la laveuse.**

**Aucune laveuse ne peut complètement enlever l'huile.**

**Ne pas faire sécher des articles qui ont été salis par tout genre d'huile (y compris les huiles de cuisson).**

**Le non-respect de ces instructions peut causer un décès, une explosion ou un incendie.**

**AVERTISSEMENT :** Pour réduire le risque d'incendie, de choc électrique ou de blessures corporelles, lire les INSTRUCTIONS IMPORTANTES DE SÉCURITÉ avant de faire fonctionner cet appareil.

Le texte suivant est un guide pour l'utilisation de la laveuse. Se référer aux sections spécifiques de ce manuel pour obtenir des renseignements plus détaillés.

Ne pas remiser des produits de lessive sur le dessus de cette laveuse. La vibration est normale durant le fonctionnement.

## Utilisation du détergent approprié

Utiliser uniquement des détergents Haute efficacité. Pour ce type de détergent, "HE" ou "Haute efficacité" sera mentionné sur l'emballage. Ce système de lavage, utilisant moins d'eau, provoquera trop de mousse avec un détergent ordinaire non HE. L'utilisation d'un détergent ordinaire est susceptible d'occasionner des erreurs de la part de la laveuse, des durées de programmes plus longues et une performance de rinçage réduite. Ceci peut aussi entraîner des défaillances des composants et une moisissure perceptible. Les détergents HE sont conçus pour produire la quantité de mousse adéquate pour le meilleur rendement. Suivre les recommandations du fabricant pour déterminer la quantité de détergent à utiliser. N'oubliez pas que les détergents concentrés (par exemple 2 x ou plus) utiliseront moins de détergent selon la taille de la charge.



*Utiliser uniquement un détergent HE Haute efficacité.*

### Premier programme de lavage sans linge à laver

Avant de laver les vêtements pour la première fois, choisir le programme Normal/Casual (normal/tout-aller) et l'exécuter sans linge (si cela n'a pas déjà été fait au cours de l'étape d'installation finale). Utiliser uniquement un détergent HE Haute efficacité. Utiliser la moitié de la quantité recommandée par le fabricant pour une charge de taille moyenne. Ce programme préalable sert à garantir que l'intérieur est propre avant de laver des vêtements.

### Pour tous les programmes de lavage

- Ouvrir la porte de la laveuse en tirant sur la poignée. Trier le linge d'après la couleur et le type de tissu. Placer une charge de linge trié dans la laveuse. Ne pas surcharger la laveuse. Une surcharge peut causer un nettoyage médiocre.
  - La laveuse peut être bien remplie mais le linge ne doit pas être tassé. La porte de la laveuse doit fermer facilement.



- Mélanger les gros articles avec les petits articles et éviter de laver des articles seuls. Charger la laveuse uniformément.
  - On recommande de laver les petits articles tels que les chaussettes d'enfants dans un sac en filet pour le linge.
  - Lorsqu'on retire le linge, vérifier de temps en temps sous le joint de couleur grise à l'avant de la cuve qu'il n'y a pas de petits articles coincés.
2. Fermer la porte de la laveuse en la poussant fermement jusqu'à ce que le verrou s'enclenche. La porte de la laveuse demeurera verrouillée durant le programme de lavage.  
**REMARQUE :** Lorsqu'un programme de lavage est terminé, la porte doit être ouverte puis refermée avant qu'un nouveau programme puisse commencer. La porte peut être ouverte seulement si on a sélectionné START/PAUSE (mise en marche/pause) ou POWER/CANCEL (mise sous tension/annulation) alors que le témoin Add Clothes (ajouter des vêtements) est allumé ou si le programme a été annulé. Voir "Pour annuler un programme" dans la section "Changement de programmes, options et modificateurs".
  3. Ouvrir le tiroir distributeur et verser les produits de lessive dans les compartiments de détergent, d'oxi/agent de blanchiment sans danger pour les couleurs, d'agent de blanchiment au chlore ou d'assouplissant de tissu. Fermer le tiroir lentement pour éviter les renversements. Voir "Utilisation du distributeur".
  4. Mettre la laveuse en marche en sélectionnant POWER/CANCEL. Sélectionner un des programmes en tournant le sélecteur de programme. Le témoin lumineux correspondant au programme sélectionné s'allumera. Lors de la sélection d'un programme de lavage, les pré réglages d'options, température d'eau, vitesse d'essorage et niveau de saleté pour le programme sélectionné s'allument. L'afficheur indique la durée résiduelle estimée. Les pré réglages procurent aux tissus les soins recommandés pour le programme sélectionné. Voir "Programmes".
  5. Sélectionner les options désirées, telles que Oxi Treat (traitement Oxi), Max Extract™ (extraction maximale), Extra Rinse (rinçage supplémentaire) et Steam Clean (nettoyage à la vapeur). Toutes les options ne sont pas disponibles avec tous les programmes. Voir "Options".
  6. Sélectionner les modificateurs désirés, tels que Soil Level (niveau de saleté), Wash Temp (température de lavage) et Spin Speed (vitesse d'essorage). Tous les modificateurs ne sont pas disponibles avec tous les programmes et toutes les options. Voir "Modificateurs".
  7. Si désiré, sélectionner SIGNAL ON/OFF (signal marche/arrêt). Le signal est utile lorsque vous lavez des articles qui doivent être enlevés de la laveuse dès qu'elle s'arrête.
  8. **Pour commencer le programme de lavage immédiatement**  
Sélectionner START/PAUSE (mise en marche/pause).
    - Si on ne sélectionne pas START/PAUSE dans les 60 minutes qui suivent le choix d'un programme, la laveuse s'éteint automatiquement.
    - Lorsque le programme de lavage est terminé, le témoin lumineux indique Done (terminé), la porte se déverrouille et la charge peut être retirée de la laveuse. La laveuse s'éteint automatiquement 5 minutes après la fin du programme et le témoin Done s'éteint. Pour éteindre manuellement la laveuse après la fin d'un programme de lavage, sélectionner une fois POWER/CANCEL (mise sous tension/annulation).

## Utilisation du distributeur

Votre nouvelle laveuse comporte un tiroir distributeur avec quatre compartiments distincts pour les produits de lessive - un pour le détergent, un pour l'agent de blanchiment Oxi/sans danger pour les couleurs, un pour l'agent de blanchiment au chlore et un pour l'assouplissant de tissu liquide. Les produits de lessive sont dilués et distribués automatiquement au moment approprié durant le programme de lavage, ce qui évite à l'utilisateur de retourner à la laveuse durant le programme pour ajouter ces produits.

Il est normal que de petites quantités d'eau demeurent dans les distributeurs lorsque le programme de lavage est achevé.

Ne pas placer des produits de lessive directement dans la cuve de lavage. Toujours utiliser les distributeurs appropriés pour ajouter les produits de lessive.

### Choix du détergent approprié

Utiliser uniquement des détergents Haute efficacité. Pour ce type de détergent, "HE" ou "Haute efficacité" sera mentionné sur l'emballage. Ce système de lavage, utilisant moins d'eau, provoquera trop de mousse avec un détergent ordinaire non HE. L'utilisation d'un détergent ordinaire est susceptible d'occasionner des erreurs de la part de la laveuse, des durées de programmes plus longues et une performance de rinçage réduite. Ceci peut aussi entraîner des défaillances des composants et une moisissure perceptible. Les détergents HE sont conçus pour produire la quantité de mousse adéquate pour le meilleur rendement. Suivre les recommandations du fabricant pour déterminer la quantité de détergent à utiliser. N'oubliez pas que les détergents concentrés (par exemple 2 x ou plus) utiliseront moins de détergent selon la taille de la charge.

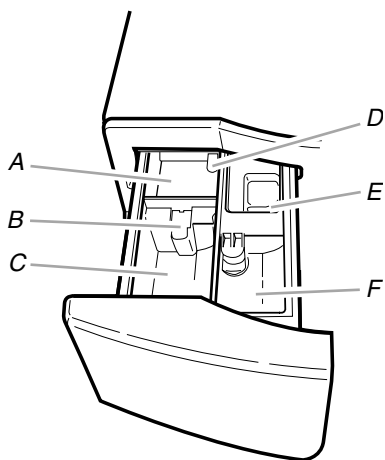


*Utiliser uniquement un détergent HE Haute efficacité.*

### Pour remplir les compartiments du distributeur

1. Tirer le tiroir distributeur.
2. Ajouter le produit de lessive désiré dans le compartiment approprié.

3. Enfoncer le tiroir distributeur lentement et complètement (pour éviter les renversements).



Distributeur

- A. Levier de dégagement du distributeur
- B. Compartiment d'agent de blanchiment Oxi/sans danger pour les couleurs
- C. Sélecteur du type de détergent
- D. Compartiment détergent Haute efficacité "HE"
- E. Compartiment pour agent de blanchiment au chlore
- F. Compartiment pour assouplissant de tissu

### Compartiment d'agent de blanchiment Oxi/sans danger pour les couleurs

(Lettre B sur l'illustration du distributeur)

On peut utiliser le traitement anti-taches/agent de blanchiment sans danger pour les couleurs à base d'oxygène liquide ou en poudre dans ce compartiment; cependant, la formulation en poudre est recommandée pour une libération retardée du produit au moment opportun. Ajouter le traitement anti-taches/agent de blanchiment sans danger pour les couleurs à base d'oxygène dans ce compartiment lors de l'utilisation de l'option Oxi Treat (traitement Oxi). Le traitement anti-taches/agent de blanchiment sans danger pour les couleurs à base d'oxygène sera distribué automatiquement au cours du programme de lavage si l'on sélectionne l'option Oxi Treat (traitement Oxi). Suivre les directives du fabricant pour l'utilisation adéquate.

**IMPORTANT :** En cas de mise en marche différée d'un programme, utiliser uniquement du produit en poudre dans le compartiment d'agent de blanchiment Oxi/sans danger pour les couleurs car les détergents liquides risquent de couler hors du compartiment lors du lavage différé, avant le début du programme de lavage.

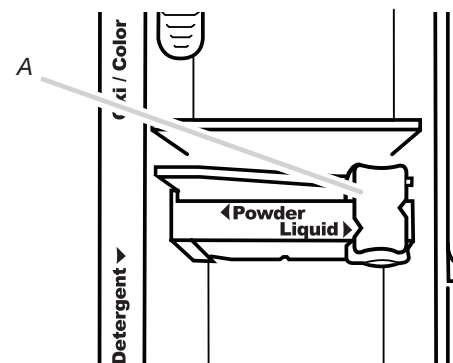
### Compartiment de détergent haute efficacité "HE"

(Lettre D sur l'illustration du distributeur)

Verser le détergent HE liquide ou en poudre dans ce compartiment pour le programme de lavage. Le sélecteur de type de détergent (A) doit toujours être placé dans la bonne position pour le type de détergent utilisé. Faire glisser le sélecteur du type de détergent en position correcte.

### IMPORTANT :

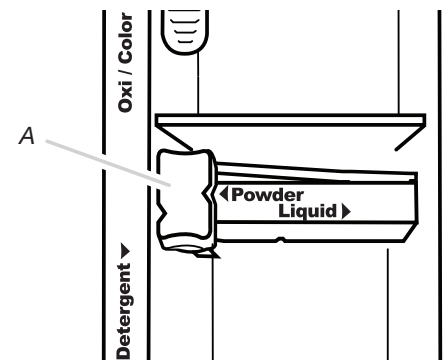
- En cas d'utilisation de l'option Delay Wash (lavage différé), on doit utiliser un détergent en poudre dans le compartiment de lavage principal car les détergents liquides sont susceptibles de couler hors du compartiment, avant même que le lavage principal ne commence.
- Utiliser la quantité recommandée par le fabricant en fonction de la taille de la charge.
- Détergent liquide :



Sélecteur en position pour le détergent liquide

A. Sélecteur du type de détergent

- Détergent en poudre :



Sélecteur en position pour le détergent en poudre

A. Sélecteur du type de détergent

## Compartiment pour l'agent de blanchiment

(Lettre E sur l'illustration du distributeur)

Ne pas verser plus de  $\frac{2}{3}$  de tasse (160 mL) d'agent de blanchiment au chlore liquide dans ce compartiment. L'agent de blanchiment est automatiquement dilué et distribué au moment opportun au cours du premier rinçage après le programme de lavage. Ce compartiment ne peut diluer un agent de blanchiment en poudre.

- Toujours mesurer la quantité d'agent de blanchiment liquide au chlore. Utiliser une tasse à mesurer avec un bec verseur; ne pas utiliser une quantité approximative. Suivre les directives du fabricant pour l'utilisation adéquate.
- Ne pas remplir au-delà du niveau "MAX". Un remplissage excessif pourrait causer des dommages aux vêtements.

## Compartiment pour assouplissant de tissu

(Lettre F sur l'illustration du distributeur)

Verser une quantité mesurée d'assouplissant de tissu liquide dans le compartiment pour assouplissant de tissu, si désiré.

- Ne pas remplir excessivement. Le distributeur peut contenir jusqu'à  $\frac{1}{4}$  de tasse (60 mL).
- L'assouplissant de tissu est automatiquement distribué lors du programme de rinçage. Si Extra Rinse (rinçage supplémentaire) est sélectionné, l'assouplissant de tissu sera distribué au cours du rinçage supplémentaire.
- Ne pas utiliser de boules distributrices d'assouplissant de tissu dans cette laveuse. Les boules distributrices ne fonctionnent pas correctement avec cette laveuse.
- Ne pas renverser ou faire couler d'assouplissant de tissu sur les vêtements.
- À la fin du programme, il est possible qu'une petite quantité d'eau reste dans le distributeur. Ceci est normal.

**REMARQUE :** Utiliser seulement de l'assouplissant de tissu liquide dans ce distributeur.

## Pause ou remise en marche

1. Pour mettre la laveuse en pause à tout moment, sélectionner START/PAUSE.
2. Pour poursuivre le programme, sélectionner START/PAUSE (pendant environ 1 seconde).

## Changement des programmes, options et modificateurs

Toutes les options et tous les modificateurs ne sont pas disponibles avec tous les programmes. Les programmes, options et modificateurs peuvent être changés à tout moment tant que START/PAUSE n'a pas été sélectionné.

Les options et modificateurs peuvent être changés à tout moment après avoir sélectionné START/PAUSE et avant la mise en marche de l'option ou du modificateur.

### Pour annuler un programme et en sélectionner un autre

1. Sélectionner deux fois POWER/CANCEL (mise sous tension/annulation).
2. Sélectionner le programme désiré.
3. Sélectionner les OPTIONS désirées.
4. Sélectionner START/PAUSE (pendant environ 1 seconde) pour remettre la laveuse en marche au début du nouveau programme.

### Pour annuler un programme

1. Sélectionner une fois POWER/CANCEL.
  2. La laveuse s'éteint, la porte se déverrouille et les vêtements peuvent être retirés.
- REMARQUE :** Si le niveau d'eau ou la température est trop élevé(e), la laveuse effectuera automatiquement une vidange avant le déverrouillage de la porte.

### Pour changer les options ou les modificateurs lorsque le programme a commencé

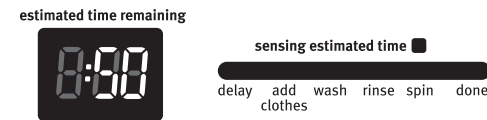
1. Sélectionner une fois START/PAUSE.
2. Sélectionner les OPTIONS ou MODIFICATEURS désirés.
3. Sélectionner START/PAUSE (pendant environ 1 seconde) pour poursuivre le programme.

### Pour vidanger la laveuse manuellement

1. Sélectionner une fois START/PAUSE.
2. Sélectionner Drain & Spin (vidange et essorage).
3. Sélectionner START/PAUSE (pendant environ 1 seconde) pour commencer la vidange.
4. Lorsque l'essorage est terminé, la porte se déverrouille. Les articles peuvent être retirés de la laveuse.

## Témoins lumineux

Cet indicateur indique quelle partie du programme la laveuse est en train d'exécuter ainsi que la durée résiduelle estimée. Il peut aussi indiquer à quel moment on peut ajouter un article supplémentaire au programme de lavage et à quel moment les commandes sont verrouillées.



### Ajout d'articles

Cette laveuse octroie une période de 8 minutes pendant laquelle les vêtements oubliés peuvent être ajoutés à la charge. Vous pouvez ajouter des articles dans la laveuse tant que le témoin lumineux Add Clothes est allumé.

### Pour ajouter des articles

1. Sélectionner une fois START/PAUSE. La porte de la laveuse se déverrouille et les articles peuvent être ajoutés.
2. Pour poursuivre le programme, fermer la porte et sélectionner START/PAUSE (pendant environ 1 seconde).
3. Pour déverrouiller la porte à la fin de la période Add Clothes, appuyer deux fois sur POWER/CANCEL. Ceci annulera le programme de lavage.

### Programme terminé

Le témoin Done reste allumé pendant 60 minutes, jusqu'à ce que l'on ouvre la porte de la laveuse ou que l'on appuie sur le bouton Power/Cancel (mise sous tension/annulation).

## Assainissement

Les programmes certifiés par NSF International, tierce partie indépendante et organisme de certification, sont ceux dont la sélection de température d'assainissement est disponible. La certification a vérifié que ces programmes réduisent 99,9 % des bactéries que l'on trouve généralement dans les vêtements, articles de literie et serviettes. Il n'y a pas de transfert de bactéries entre les charges une fois le programme terminé. Seuls les programmes avec la température de lavage avec assainissement sélectionnée ont été conçus pour répondre aux spécifications du NSF Protocol P172 concernant l'efficacité d'assainissement.



Certifié pour aseptiser

## Verrouillage des commandes

La fonction Control Lock (verrouillage des commandes) évite l'utilisation involontaire de la laveuse. Vous pouvez aussi utiliser la caractéristique de verrouillage des commandes pour éviter des changements involontaires de programme ou d'option durant un programme. Lorsque le témoin Control Lock est allumé durant un programme, tous les boutons sont désactivés à l'exception des boutons Control Lock (verrouillage des commandes), Power/Cancel (mise sous tension/annulation), et Start/Pause (mise en marche/pause).

### Pour verrouiller les commandes

Appuyer sur le bouton CONTROL LOCK pendant 3 secondes.



Le témoin lumineux CONTROL LOCK (commandes verrouillées) est allumé.

### Pour déverrouiller les commandes

Appuyer sur le bouton CONTROL LOCK pendant 3 secondes, jusqu'à ce que le témoin lumineux Control Lock s'éteigne.

## Door Locked (porte verrouillée)

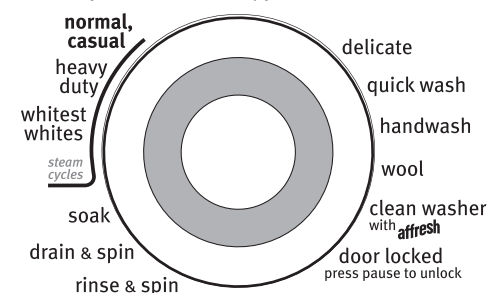
Lorsque le témoin lumineux s'allume, la porte est verrouillée.

## Durée résiduelle estimée

La durée du programme varie automatiquement en fonction de la pression et de la température de l'eau, du détergent et de la charge de linge. La durée du programme sera prolongée en cas d'excès de mousse ou si la charge est déséquilibrée. La procédure contre la mousse élimine l'excès de mousse et permet un rinçage correct de vos vêtements. Lors de la procédure de déséquilibre, l'affichage du temps se mettra en pause jusqu'à ce que cette procédure soit terminée, puis reprendra en même temps que le programme. Ces procédures peuvent ajouter jusqu'à trente minutes à la durée par défaut du programme.

## Programmes

Pour sélectionner un programme, tourner le bouton de commande au programme désiré. Chaque programme est conçu pour différents types de tissu et niveaux de saleté.



- Chaque programme comporte un niveau de saleté (durée du programme), une température de l'eau et une vitesse d'essorage pré-réglés et peut comporter des options pré-réglées. Les pré-réglages apportent aux tissus les soins recommandés pour le programme sélectionné.
- Les pré-réglages peuvent être modifiés à tout moment avant que l'on n'appuie sur START (mise en marche). Toutes les options et tous les modificateurs ne sont pas disponibles avec tous les programmes. (Pour modifier les réglages après le début du programme, appuyer une fois sur PAUSE, puis sélectionner les réglages désirés. Appuyer de nouveau sur START pour poursuivre le programme.)

### Whitest Whites (blancs les plus blancs)

Ce programme est spécialement conçu pour le nettoyage de charges de linge blanc sale avec ajout d'agent de blanchiment. Les températures de lavage élevées assurent un fonctionnement optimal de l'agent de blanchiment. Un rinçage supplémentaire fournit une performance de rinçage optimale pour éviter les résidus de chlore sur votre lessive. Ce programme combine un culbutage à vitesse rapide, une durée de lavage prolongée et un essorage à vitesse très élevée pour réduire la durée de séchage.

### Heavy Duty (service intense)

Utiliser ce programme pour laver des charges de vêtements robustes, aux couleurs grand teint et très sales. Ce programme combine un culbutage à vitesse rapide, une durée de lavage prolongée et un essorage à vitesse très élevée pour réduire la durée de séchage. Si la température de l'eau est inférieure à celle nécessaire pour ce programme, le chauffe-eau réchauffera l'eau à la température idéale.

### Normal/Casual (normal/tout-aller)

Utiliser ce programme pour laver des articles en coton et en lin normalement sales. Ce programme combine un culbutage à vitesse moyenne et un essorage à haute vitesse.

### Delicate (articles délicats)

Utiliser ce programme pour laver des tissus et des vêtements qui ne se repassent pas; l'étiquette de soin du tissu indiquera "Permanent Press" (pressage permanent), "Wrinkle Free" (anti-froissement), ou "Gentle" (délicat). Ce programme combine un culbutage à basse vitesse et un essorage à basse vitesse afin de réduire le froissement.

### Quick Wash (lavage rapide)

Utiliser ce programme pour laver de petites charges de vêtements légèrement sales dont on a besoin rapidement. Ce programme combine un culbutage à vitesse rapide, une durée de lavage plus courte et un essorage à vitesse très élevée pour réduire la durée de séchage.

### Handwash (lavage à la main)

Utiliser ce programme pour nettoyer les articles lavables à la main et les vêtements nécessitant un soin spécial. Semblable à la façon dont les vêtements sont lavés à la main dans un évier, l'action de lavage de ce programme combine des périodes de culbutage à basse vitesse et de trempage. L'essorage à basse vitesse réduit le froissement.

### Wool (lainages)

Utiliser ce programme pour laver les vêtements en laine lavables en machine. (Consulter les consignes d'entretien pour s'assurer que le vêtement est lavable.) Ce programme comporte un culbutage délicat et un essorage à basse vitesse pour un soin optimal des vêtements.

### Programme Clean Washer with AFFRESH™ (nettoyage de la laveuse avec AFFRESH™)

Utiliser ce programme une fois par mois pour que l'intérieur de la laveuse reste frais et propre. Ce programme utilise un niveau d'eau plus élevé en combinaison avec les pastilles AFFRESH™ et la vapeur, pour nettoyer en profondeur l'intérieur de la laveuse. Ce programme ne doit pas être interrompu. Voir "Nettoyage de la laveuse" dans la section "Entretien de la laveuse".

**IMPORTANT :** Ne pas placer de vêtements dans la laveuse pendant le programme Clean Washer (nettoyage de la laveuse).

### Soak (trempage)

Utiliser le programme de trempage pour enlever les petites taches fixées sur les tissus. Ce programme comporte une période de trempage dans l'eau tiède ou froide, suivie d'une vidange. La quantité supplémentaire d'eau, la courte phase de culbutage pour une distribution uniforme de la lessive, et la période de trempage sans mouvement du tambour permettent une élimination plus efficace des taches incrustées. La vidange sans essorage prend soin des articles, même les plus délicats.

### Rinse & Spin (rinçage et essorage)

Utiliser ce programme pour obtenir uniquement un rinçage et un essorage. Ce programme combine un culbutage à vitesse élevée et un essorage à vitesse très élevée. Si désiré, on peut réduire la vitesse d'essorage en sélectionnant la vitesse souhaitée à partir du modificateur Spin Speed (vitesse d'essorage).

#### Le programme Rinse & Spin est utile pour :

- Les charges qui nécessitent un rinçage uniquement, comme les maillots de bain.

**REMARQUE :** Pour les charges plus délicates, lors de l'utilisation d'un programme Rinse & Spin (rinçage et essorage) pour rincer des maillots de bain, changer le réglage du modificateur Speed Spin (vitesse d'essorage) et passer à Medium (moyenne) ou Low (basse) pour éviter toute tension du tissu.

- L'ajout d'assouplissant de tissu à une charge.

### Drain & Spin (vidange et essorage)

Utiliser ce programme pour vidanger la laveuse ou pour vidanger et essorer la charge de lavage. La vitesse d'essorage est préréglée à Extra High (très élevée). Si désiré, on peut réduire la vitesse d'essorage en sélectionnant la vitesse souhaitée à partir du modificateur Spin Speed (vitesse d'essorage).

**REMARQUE :** Les charges de vêtements synthétiques, tissus délicats, articles lavables à la main et lainages doivent être vidangés sans essorage ou avec essorage à basse vitesse pour ne pas déformer les tissus.

### Préréglages de programme

Chaque programme comporte un niveau de saleté (durée du programme), une température de l'eau et une vitesse d'essorage préréglés. Les préréglages procurent les soins aux tissus recommandés pour le programme sélectionné. Voir le tableau.

Programme	Niveau de saleté (durée de programme)	Temp. de l'eau	Vitesse d'essorage
<b>Whitest Whites (blancs les plus blancs)</b>	Normal (1:20)	Hot/Cold (chaude/froide)	Extra High (très élevée)
<b>Heavy Duty (service intense)</b>	Intense (1:27)	Hot/Cold (chaude/froide)	Extra High (très élevée)
<b>Normal/Casual (normal/tout-aller)</b>	Normal (0:50)	Warm/Cold (tiède/froide)	High (élevée)
<b>Delicate (articles délicats)</b>	Normal (0:40)	Warm/Cold (tiède/froide)	Medium (moyenne)
<b>Quick Wash (lavage rapide)</b>	Peu sale (0:30)	Warm/Cold (tiède/froide)	Extra High (très élevée)
<b>Handwash (lavage à la main)</b>	Normal (0:30)	Cold/Cold (froide/froide)	Low (basse)
<b>Wool (lainages)</b>	Normal (0:30)	Warm/Cold (tiède/froide)	Low (basse)
<b>Clean Washer with AFFRESH™ (nettoyage de la laveuse avec AFFRESH™)</b>	N/A (1:05)	N/A	N/A
<b>Soak (trempage)</b>	Normal (0:30)	Warm/Cold (tiède/froide)	No Spin (pas d'essorage)
<b>Rinse &amp; Spin (rinçage/essorage)</b>	N/A (0:22)	Cold/Cold (froide/froide)	Extra High (très élevée)
<b>Drain &amp; Spin (vidange et essorage)</b>	N/A (0:13)	N/A	Extra High (très élevée)

### Modification des préréglages de programme

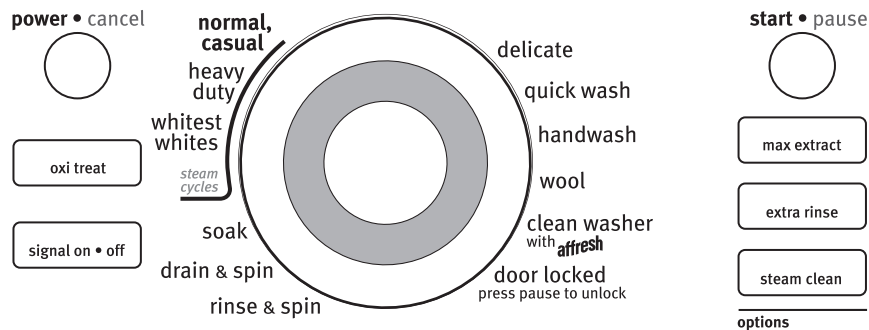
Appuyer sur le sélecteur de chaque réglage jusqu'à ce que le réglage désiré s'allume.

## Sons normaux émis par la laveuse

Comme pour tout appareil neuf, vous entendrez des sons auxquels vous n'êtes pas habitués. Vous pouvez entendre différents sons lors du verrouillage/déverrouillage de la porte et durant les processus de lavage, rinçage et essorage. Entre les changements dans les actions de lavage, la laveuse fera des pauses momentanées. Vous entendrez l'éclaboussement de l'eau pendant les programmes de lavage et de rinçage. Ces nouveaux sons et pauses font partie du fonctionnement normal de la laveuse.

## Options

Vous pouvez personnaliser votre lavage en ajoutant des options à vos sélections de programme. Vous pouvez ajouter ou modifier une option après le début d'un programme à tout moment avant la mise en marche de l'option sélectionnée. Toutes les options ne sont pas disponibles avec tous les programmes.



- Consulter le “Guide de lessivage” pour un aperçu des options possibles pour chaque sélection de programme de lavage.
- Vous pouvez choisir plusieurs options par programme. Certaines options ne peuvent être sélectionnées avec certains programmes; par exemple, l'option de traitement Oxi est incompatible avec le programme de lavage rapide.
- Si une option est disponible avec un programme sélectionné, le témoin lumineux de cette option s'allume au moment de la sélection.
- Si une option n'est pas disponible avec un programme sélectionné, un bref signal sonore est émis et le témoin lumineux de cette option ne s'allume pas au moment de la sélection.

### Oxi Treat (traitement Oxi)

Utiliser cette option pour des charges de vêtements très sales qui nécessitent un prétraitement. Sélectionner cette option permet de s'assurer que ces produits sont distribués pendant le programme de lavage au moment opportun afin d'améliorer le rendement de la laveuse.

#### REMARQUES :

- Verser le traitement anti-taches à base d'oxygène ou l'agent de blanchiment Oxi/sans danger pour les couleurs dans le compartiment du tiroir distributeur.
- Utiliser du détergent en poudre lorsqu'on utilise Oxi Treat (traitement Oxi).

### Signal On/Off (marche/arrêt)

Utiliser cette option pour allumer ou éteindre le bouton-signal indiquant la fin du programme.

## Max Extract™ (extraction maximale)

Utiliser cette option pour ajouter un essorage supplémentaire à n'importe quel programme pour réduire les durées de séchage pour certains tissus lourds en réduisant l'excès d'eau, ce qui peut permettre d'économiser de l'énergie.

## Steam Clean (nettoyage à la vapeur)

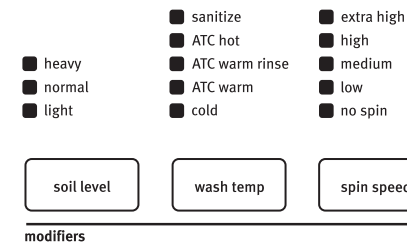
Utiliser cette option pour les charges très sales qui nécessitent un traitement anti-taches amélioré ou pour des charges avec différents types de taches. Lorsque l'option Steam Clean (nettoyage à la vapeur) est sélectionnée, la température de l'eau du programme de lavage sélectionné est automatiquement réglée à tiède. L'eau ainsi que la vapeur sont ensuite lentement réchauffées jusqu'à la température sélectionnée afin d'aider à éliminer les taches. Cette option permet l'élimination optimale de taches organiques tel que le sang et celle des taches sensibles à la température telles que les taches d'huile dans le même programme. Cette option est disponible avec les programmes suivants : Normal/Casual (normal/tout-aller), Heavy Duty (service intense) et Whitest Whites (blancs les plus blancs).

## Extra Rinse (rinçage supplémentaire)

Un second rinçage peut être effectué pour favoriser l'élimination des résidus de détergent ou d'agent de blanchiment sur les vêtements. Cette option fournit un rinçage supplémentaire avec une eau à la même température que pour le rinçage normal. Il s'agit du réglage de rinçage par défaut pour le programme Whitest Whites (blancs les plus blancs).

## Modificateurs

Les pré-réglages de programme pour le niveau de saleté (durée du programme), la température de l'eau et la vitesse d'essorage peuvent être modifiés. On peut changer ces réglages à l'aide des modificateurs. On peut modifier un modificateur avant ou pendant un programme jusqu'à ce que cette partie du programme commence. Tous les modificateurs ne sont pas disponibles avec tous les programmes et toutes les options.



- Pour modifier le niveau de saleté (durée du programme), sélectionner le bouton SOIL LEVEL jusqu'à ce que le réglage désiré s'allume.
- Pour modifier la température de l'eau, sélectionner le bouton WASH TEMP jusqu'à ce que le réglage désiré s'allume.
- Pour modifier la vitesse d'essorage, sélectionner le bouton SPIN SPEED jusqu'à ce que le réglage désiré s'allume.

### Temp. de l'eau

Sélectionner une température de l'eau selon le type de charge à laver. Utiliser l'eau de lavage la plus chaude sans danger pour les tissus. Suivre les instructions figurant sur l'étiquette des vêtements.

Les rinçages à l'eau tiède permettent un meilleur séchage que les rinçages à froid. Les rinçages à l'eau tiède augmentent le froissement. Dans les climats froids, un rinçage à l'eau tiède facilite la manipulation de la charge. Les rinçages à froid économisent de l'énergie.

- Les programmes certifiés par NSF International, tierce partie indépendante et organisme de certification, sont ceux dont la sélection de température d'assainissement est disponible. La certification a vérifié que ces programmes réduisent 99,9 % des bactéries que l'on trouve généralement sur les vêtements, articles de literie et serviettes. Il n'y a pas de transfert de bactéries entre les charges une fois le programme terminé. Seuls les programmes avec la température de lavage avec assainissement sélectionnée ont été conçus pour répondre aux spécifications du NSF Protocol P172 concernant l'efficacité d'assainissement.



Certifié pour aseptiser

- La température de l'eau de la fonction d'assainissement fournit une température de lavage extrêmement élevée afin d'éliminer 99,9 % de certaines bactéries. Il est recommandé de régler le chauffe-eau à 120°F (49°C) pour assurer un rendement efficace pendant ce programme.
- La température de l'eau de la fonction d'assainissement est extrêmement chaude. Prendre soin de vérifier les étiquettes des vêtements afin d'éviter qu'ils ne subissent tout dommage.
- Dans les températures d'eau de lavage inférieures à 60°F (15,6°C), les détergents ne se dissolvent pas correctement. Les saletés peuvent être difficiles à enlever.

### Tissus recommandés pour les différentes températures d'eau de lavage

Température de l'eau de lavage	Tissus suggérés
<b>SANITIZE (assainissement)</b>	Tissus grand teint robustes Saleté intense
<b>HOT (chaude)</b>	Tissus grand teint robustes Blancs et couleurs claires Saleté intense
<b>WARM (tiède)</b>	Couleurs vives Saleté modérée à légère
<b>COLD (froide)</b>	Couleurs qui déteignent ou s'atténuent Saleté légère

*Dans les températures d'eau de lavage inférieures à 60°F (15,6°C), les détergents ne se dissolvent pas correctement. Les saletés peuvent être difficiles à enlever.*

### Commande automatique de la température

La commande automatique de la température détecte et maintient électroniquement une température d'eau uniforme. La commande automatique de la température régule l'arrivée d'eau chaude et d'eau froide. La commande automatique de la température est automatiquement activée lorsqu'un programme est sélectionné. Voir "Préréglages de programme" dans "Programmes".

**REMARQUE :** La commande automatique de la température fonctionne avec tous les réglages de température de lavage et de rinçage.

## GUIDE DE LESSIVAGE

Consulter ce tableau pour les types de charges suggérés et le programme correspondant. Pour chacun des programmes de la laveuse, les options disponibles sont indiquées à droite.

PROGRAMME	TYPE DE CHARGE SUGGÉRÉ	OPTIONS DISPONIBLES					
		Signal ON/OFF	Delay Start	Extra Rinse	Steam Clean	Oxi Treat	Max Extract™
<b>Whitest Whites (blancs les plus blancs)</b>	Tissus blancs très sales	✓	✓	✓	✓	✓	✓
<b>Heavy Duty (service intense)</b>	Vêtements très sales tels que sous-vêtements, serviettes, chemises, etc.	✓	✓	✓	✓	✓	✓
<b>Normal/Casual (normal/tout-aller)</b>	Vêtements en polyester, nylon, coton, lin ou mélanges de coton et normalement sales tels que chemisiers, chemises, salopettes, etc.	✓	✓	✓	✓	✓	✓
<b>Delicate (articles délicats)</b>	Utiliser ce programme pour laver des tissus et des vêtements qui ne se repassent pas; l'étiquette de soin du tissu indiquera "Permanent Press" (pressage permanent), "Wrinkle Free" (anti-froissement), ou "Gentle" (délicat).	✓	✓	✓			
<b>Quick Wash (lavage rapide)</b>	Vêtements de sport en coton, polyester, nylon et mélanges de coton, légèrement sales	✓	✓	✓			
<b>Handwash (lavage à la main)</b>	Vêtements en soie ou articles nécessitant un soin spécial identifiés comme lavables à la main	✓	✓	✓			
<b>Wool (lainages)</b>	Lainages avec un fini non feutré lavables en machine	✓	✓	✓			

PROGRAMME	TYPE DE CHARGE SUGGÉRÉ	OPTIONS DISPONIBLES					
		Signal ON/OFF	Delay Start	Extra Rinse	Steam Clean	Oxi Treat	Max Extract™
Clean Washer with AFFRESH™ (nettoyage de la laveuse avec AFFRESH™)	Ne pas placer de vêtements	✓	✓				
Soak (trempage)	Vêtements en coton, lin, polyester ou nylon	✓	✓				
Rinse & Spin (rinçage et essorage)	Vêtements en coton, lin, polyester ou nylon	✓	✓				
Drain & Spin (vidange et essorage)	Vêtements en coton, lin, polyester ou nylon	✓	✓				

## CONSEILS DE LESSIVAGE

### Préparation des vêtements pour le lavage

Suivre les recommandations suivantes pour prolonger la vie de vos vêtements.

- Utiliser uniquement des détergents Haute efficacité. Pour ce type de détergent, "HE" ou "Haute efficacité" sera mentionné sur l'emballage. Ce système de lavage, utilisant moins d'eau, provoquera trop de mousse avec un détergent ordinaire non-HE. L'utilisation d'un détergent ordinaire est susceptible d'occasionner des erreurs de la part de la laveuse, des durées de programmes plus longues et une performance de rinçage réduite. Ceci peut aussi entraîner des défaillances des composants et une moisissure perceptible. Les détergents HE sont conçus pour produire la quantité de mousse adéquate pour le meilleur rendement. Suivre les recommandations du fabricant pour déterminer la quantité de détergent à utiliser. N'oubliez pas que les détergents concentrés (par exemple 2 x ou plus) utiliseront moins de détergent selon la taille de la charge.



*Utiliser uniquement un détergent HE Haute efficacité.*

- Fermer les fermetures à glissière, les boutons pression et les crochets pour éviter d'accrocher d'autres articles. Retirer les épingles, boucles et autres objets durs pour éviter d'égratigner l'intérieur de la laveuse. Ôter les garnitures et les ornements non lavables.
- Vider les poches et les retourner.
- Retourner les revers et enlever la charpie et la saleté avec une brosse.
- Retourner les lainages et tricotés synthétiques à l'envers pour éviter le boulochage.
- Attacher les cordons et les ceintures pour empêcher l'emmêlement.
- Raccorder les déchirures, les ourlets défaits et les coutures.
- Traiter les taches.
- Les vêtements tachés ou mouillés doivent être lavés sans délai pour obtenir les meilleurs résultats.

- Mélanger les petits articles avec les gros, éviter de laver un article seul et répartir la charge de façon égale dans la laveuse.

- Laver les petits articles tels que les chaussettes d'enfants dans un sac en filet pour le linge. Pour obtenir une charge équilibrée, on recommande d'utiliser plus d'un sac et de remplir chaque sac avec des quantités similaires.

**REMARQUE :** Si vous lavez uniquement des petits articles, il est recommandé d'utiliser plus d'un sac et de remplir chaque sac avec des quantités similaires.

### Tri

- Séparer les articles très sales des articles légèrement sales, même si on les lave normalement ensemble. Séparer les articles qui forment de la charpie (serviettes, chenille) des articles qui retiennent la charpie (velours côtelé, synthétiques, pressage permanent). Dans la mesure du possible, retourner les articles qui forment de la charpie.
- Séparer les couleurs foncées des couleurs claires et les articles grand teint des articles qui déteignent.
- Trier en fonction des tissus et de la confection (cotons solides, tricotés, articles délicats).

### Déchargement

- Retirer les vêtements de la laveuse une fois que le programme est terminé. Des objets en métal comme les fermetures à glissière, les boutons-pression et les boucles peuvent rouiller si on les laisse longtemps dans le panier de la laveuse.
- Lorsqu'on retire le linge, vérifier de temps en temps sous le joint de couleur grise à l'avant de la cuve qu'il n'y ait pas de petits articles coincés.



## Chargement

### Suggestions de chargement

#### Vêtements de travail lourds

4 jeans	2 survêtements (bas)
4 pantalons	2 survêtements (haut)
4 chemises	

#### Serviettes

10 serviettes de bain	14 débarbouillettes
10 serviettes à main	

#### Charge mixte

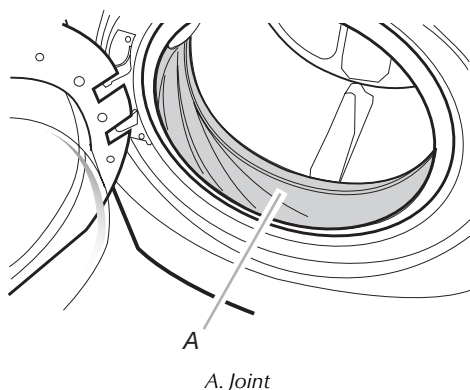
3 draps (1 très grand, 2 simples)	9 tee-shirts
4 taies d'oreiller	9 shorts
3 chemises	10 mouchoirs
3 chemisiers	

## ENTRETIEN DE LA LAVEUSE

### Nettoyage de la laveuse

#### Nettoyage du joint de la porte

1. Ouvrir la porte de la laveuse et retirer tout vêtement ou article de la laveuse.
2. Examiner le joint de couleur grise entre l'ouverture de la porte et le panier pour déceler des zones tachées. Tirer sur le joint pour examiner des zones situées en dessous. Ôter tout objet étranger.



3. Si des zones tachées sont décelées, essuyer ces zones en respectant la procédure indiquée ci-dessous.

- a) Mélanger une solution diluée en utilisant  $\frac{3}{4}$  de tasse (177,4 mL) d'agent de blanchiment liquide et 1 gal. (3,8 L) d'eau tiède du robinet.
- b) Essuyer la zone du joint avec la solution diluée, en utilisant un chiffon humide.
- c) Laisser agir pendant 5 minutes.
- d) Essuyer la zone complètement avec un chiffon sec et laisser l'intérieur de la laveuse sécher avec la porte ouverte.

#### IMPORTANT :

- Porter des gants en caoutchouc en cas de nettoyage pendant une période prolongée.
- Consulter les instructions du fabricant de l'agent de blanchiment pour une utilisation correcte.

#### Procédure d'entretien de la laveuse

Cette laveuse comporte un programme spécial qui utilise des volumes d'eau plus importants ainsi que de la vapeur, en combinaison avec le nettoyant pour laveuse AFFRESH™ ou de l'agent de blanchiment au chlore liquide pour un nettoyage en profondeur de l'intérieur de la laveuse.

#### REMARQUES :

- Lire ces instructions complètement avant de débiter la procédure de nettoyage.
- Si nécessaire, le programme de nettoyage peut être interrompu en appuyant sur le bouton Start/Pause (mise en marche/pause). Cependant, ceci n'arrêtera pas immédiatement le programme. La machine affiche "int" (interruption) et poursuit avec plusieurs rinçages et vidanges afin d'évacuer toute trace d'agent de blanchiment de la laveuse.

#### Début de la procédure

1. Ouvrir la porte de la laveuse et retirer tout vêtement ou article de la laveuse.
2. **Utiliser le nettoyant pour laveuse AFFRESH™ (recommandé) :**  
Ajouter une pastille de nettoyant pour laveuse AFFRESH™ dans le tambour de la laveuse.  
**Si l'on utilise de l'agent de blanchiment au chlore :**  
Ouvrir le tiroir distributeur et ajouter immédiatement  $\frac{2}{3}$  de tasse (160 mL) d'agent de blanchiment liquide au chlore dans le compartiment d'agent de blanchiment.  
**REMARQUE :** Ne pas verser de détergent pour ce programme. L'utilisation de plus de  $\frac{2}{3}$  tasses (160 mL) d'agent de blanchiment endommagera le produit avec le temps.
3. Fermer la porte de la laveuse et le tiroir distributeur.
4. Sélectionner le programme Clean Washer (nettoyage de la laveuse).
5. Appuyer sur START/PAUSE (mise en marche/pause).  
**REMARQUE :** Le panier pivote, la porte se déverrouille, se verrouille à nouveau et le programme se poursuit ensuite.
  - La machine se remplit et le panier pivote alors que la laveuse effectue un court programme de détection. Ceci prend environ 3 minutes.

6. Le programme détermine si des vêtements ou autres articles se trouvent dans la laveuse.

- a) Si aucun article n'est détecté dans la laveuse, la machine passe à l'étape 7.
- b) Si des articles sont détectés dans la laveuse, "rL" sera affiché et les témoins lumineux WASH (lavage) et CONTROL LOCK (commandes verrouillées) resteront allumés. La porte se déverrouillera. Ouvrir et enlever tout vêtement se trouvant dans le tambour de la laveuse.
  - Appuyer sur POWER/CANCEL (mise sous tension/annulation) pour annuler le code d'échec. Répéter ensuite les étapes 3, 4 et 5 pour remettre le programme en marche.

7. Une fois que le programme a commencé, laisser le programme s'achever.

8. À la fin du programme, laisser la porte entrouverte pour permettre une meilleure ventilation et pour que l'intérieur de la laveuse puisse sécher.

### Toujours suivre la procédure qui suit pour préserver la fraîcheur de la laveuse

- Utiliser uniquement un détergent HE Haute efficacité.
- Laisser la porte entrouverte après chaque programme pour permettre une meilleure ventilation et pour que l'intérieur de la laveuse puisse sécher.
- Répéter la procédure de nettoyage une fois par mois ou chaque fois que le témoin lumineux CLEAN WASHER REMINDER (rappel de nettoyage de la laveuse) s'allume.
- Si l'on n'est pas prêt à effectuer un programme de nettoyage de la laveuse mais que le témoin lumineux Clean Washer Reminder (rappel de nettoyage de la laveuse) est illuminé, appuyer sur le bouton Clean Washer Reset (réinitialisation du nettoyage de la laveuse).

Si la procédure ne permet pas de remédier suffisamment aux problèmes de fraîcheur de la machine, examiner les conditions d'installation et d'utilisation pour déceler d'autres causes possibles.

### Nettoyage du tiroir distributeur

Le tiroir distributeur est amovible pour en faciliter le nettoyage.

1. Ouvrir le tiroir distributeur. Le déverrouiller en appuyant sur le levier de dégagement dans le compartiment de l'agent de blanchiment Oxi/sans danger pour les couleurs. Retirer le tiroir.
2. Laver le tiroir distributeur sous l'eau du robinet. Le laisser sécher.
3. Remettre le distributeur dans le tiroir.

### Nettoyage de l'extérieur

Utiliser une éponge ou un chiffon doux humide pour essuyer les renversements. Essuyer occasionnellement les surfaces externes de la laveuse pour maintenir son apparence d'appareil neuf. Utiliser un savon doux et de l'eau. Ne pas utiliser de produits abrasifs.

## Tuyaux d'arrivée d'eau

Remplacer les tuyaux d'arrivée d'eau après 5 ans d'utilisation pour réduire le risque de défaillance intempestive. Inspecter périodiquement les tuyaux; les remplacer en cas de renflement, de déformation, de coupure et d'usure ou si une fuite se manifeste.

Lors du remplacement des tuyaux d'arrivée d'eau, inscrire la date du remplacement.

## Précautions à prendre avant les vacances, un entreposage ou un déménagement

Installer et remiser la laveuse à l'abri du gel. L'eau qui peut rester dans les tuyaux risque d'abîmer la laveuse en temps de gel. Si la laveuse doit faire l'objet d'un déménagement ou de remisage au cours d'une période de gel, préparer l'appareil pour l'hiver.

### Entretien en cas de non-utilisation ou de période de vacances :

Faire fonctionner la laveuse seulement lorsqu'on est présent. Si vous devez partir en vacances ou ne pas utiliser la laveuse pendant une période prolongée, vous devez exécuter les opérations suivantes :

- Débrancher la laveuse ou déconnecter la source de courant électrique.
- Fermer l'alimentation d'eau de la laveuse. Ceci aide à éviter les inondations accidentelles (dues à une augmentation de la pression) quand vous êtes absent.
- Ouvrir légèrement la porte pour fournir une ventilation.

### Préparation de la laveuse pour l'hiver :

1. Verser 1 pinte (1 L) d'antigel pour véhicule récréatif dans le tambour.
2. Faire exécuter à la laveuse un programme Drain & Spin (vidange et essorage).
3. Débrancher la laveuse ou déconnecter la source de courant électrique.
4. Fermer les deux robinets d'eau.
5. Débrancher les tuyaux d'arrivée d'eau des robinets et les vider.

### Remise en marche de la laveuse :

1. Vidanger les canalisations d'eau. Reconnecter les tuyaux d'arrivée d'eau aux robinets. Ouvrir les deux robinets d'eau.

## ⚠ AVERTISSEMENT



### Risque de choc électrique

**Brancher sur une prise à 3 alvéoles reliée à la terre.**

**Ne pas enlever la broche de liaison à la terre.**

**Ne pas utiliser un adaptateur.**

**Ne pas utiliser un câble de rallonge.**

**Le non-respect de ces instructions peut causer un décès, un incendie ou un choc électrique.**

2. Brancher la laveuse ou reconnecter la source de courant électrique.
3. Faire exécuter à la laveuse un programme Normal/Casual (normal/tout-aller) avec la moitié de la quantité normale recommandée de détergent HE pour une charge moyenne, afin de nettoyer la laveuse et enlever l'antigel, le cas échéant.

### Transport de la laveuse :

1. Si la laveuse doit être déplacée en temps de gel, verser une pinte (1 L) d'antigel pour véhicule récréatif dans le tambour. Faire exécuter à la laveuse un programme Drain & Spin (vidange et essorage).
2. Débrancher le cordon d'alimentation.
3. Débrancher le tuyau de vidange du système de vidange et le fixer aux pinces du panneau arrière.
4. Fermer les deux robinets d'eau.
5. Déconnecter les tuyaux d'arrivée d'eau des robinets puis vidanger les tuyaux et les fixer au panneau arrière de la laveuse.

**IMPORTANT :** Faire un appel de service. Ne pas réutiliser les boulons de transport. La laveuse doit être transportée en position verticale. Pour éviter des dommages concernant la suspension et la structure de la laveuse, celle-ci doit être correctement réinstallée par un technicien certifié.

### Réinstallation de la laveuse

1. Suivre les "Instructions d'installation" pour choisir l'emplacement, régler l'aplomb de la laveuse et la raccorder.
2. Faire exécuter à la laveuse un programme Normal/Casual (normal/tout-aller) avec la moitié de la quantité normale recommandée de détergent HE pour une charge moyenne, afin de nettoyer la laveuse et enlever l'antigel, le cas échéant.

## DÉPANNAGE

Essayer d'abord les solutions suggérées ici ou visiter notre site Internet et la FAQ (foire aux questions) pour éviter possiblement le coût d'un appel de service.

Aux États-Unis : [www.maytag.com/help](http://www.maytag.com/help) - Au Canada : [www.maytag.ca](http://www.maytag.ca)


### La laveuse affiche un message code et des signaux sonores sont émis

- **"F20" (problème d'entrée d'eau - approvisionnement en eau nul ou insuffisant)**  
Sélectionner deux fois POWER/CANCEL pour annuler le programme. Débrancher la laveuse ou déconnecter la source de courant électrique.  
**Vérifier ce qui suit :**  
Les deux robinets d'eau (chaude et froide) sont-ils complètement ouverts?  
Les tamis au point de raccordement des tuyaux d'arrivée d'eau à la laveuse sont-ils obstrués?  
Les tuyaux d'arrivée d'eau sont-ils déformés?  
Les tuyaux d'arrivée d'eau sont-ils gelés?  
Brancher la laveuse ou reconnecter la source de courant électrique. Sélectionner à nouveau le programme et appuyer sur START/PAUSE. Si le problème persiste, faire un appel de service.
- **"F21" (problème de vidange)**  
Sélectionner deux fois POWER/CANCEL pour annuler le programme. Débrancher la laveuse ou déconnecter la source de courant électrique.  
**Vérifier ce qui suit :**  
Le tuyau de vidange est-il déformé?  
Le tuyau de vidange est-il gelé?  
Le tuyau de vidange est-il obstrué?  
Le tuyau de vidange est-il à plus de 96" (2,4 m) au-dessus du plancher?  
Brancher la laveuse ou reconnecter la source de courant électrique. Sélectionner à nouveau le programme et appuyer sur START/PAUSE (mise en marche/pause). Si le problème persiste, faire un appel de service.

- **"SUD" (procédure contre la mousse)**  
Lorsqu'un excès de mousse est détecté, une procédure contre la mousse se met en marche automatiquement. Cette procédure élimine l'excès de mousse et permet un rinçage correct de vos vêtements. "SUD" s'affiche durant la période de rinçage pour indiquer que la procédure contre la mousse a été activée. Utiliser uniquement des détergents HE (haute efficacité).
- **"F22" (verrouillage de la porte avant)**  
Sélectionner deux fois POWER/CANCEL (mise sous tension/annulation) pour annuler le programme.  
**Vérifier ce qui suit :**  
La porte de la laveuse est-elle bien fermée?  
La porte doit être complètement fermée pour que la laveuse puisse fonctionner. La porte peut paraître fermée mais ne pas être enclenchée. Ouvrir la porte et la refermer fermement.  
Avez-vous lavé une grande charge?  
Avant de fermer la porte de la laveuse, vérifier que les vêtements sont à l'intérieur du tambour de la laveuse et à l'écart de la zone du joint, de manière à ce qu'ils puissent culbuter librement. Un panier surchargé peut empêcher la porte de fermer complètement. Réduire la taille de la charge si nécessaire. Fermer la porte. Appuyer sur POWER/CANCEL (mise sous tension/annulation) puis sur START/PAUSE (mise en marche/pause).
- **Codes "F" autres que F20, F21 ou F22**  
Sélectionner deux fois POWER/CANCEL (mise sous tension/annulation) pour annuler le programme. Sélectionner DRAIN & SPIN (vidange et essorage) en cas d'excès d'eau dans la laveuse.  
Sélectionner à nouveau le programme et appuyer sur START/PAUSE. Si le problème persiste, faire un appel de service.

## La laveuse ne se met pas en marche

**⚠ AVERTISSEMENT**



**Risque de choc électrique**

**Brancher sur une prise à 3 alvéoles reliée à la terre.**

**Ne pas enlever la broche de liaison à la terre.**

**Ne pas utiliser un adaptateur.**

**Ne pas utiliser un câble de rallonge.**

**Le non-respect de ces instructions peut causer un décès, un incendie ou un choc électrique.**

### ■ Vérifier ce qui suit :

Le cordon d'alimentation est-il branché dans une prise à 3 alvéoles reliée à la terre?

La porte de la laveuse est-elle bien fermée?

Un programme a-t-il été sélectionné sans que START/PAUSE ait été sélectionné pendant 1 seconde?

La porte a-t-elle été ouverte après l'achèvement du dernier programme?

## La laveuse ne se remplit pas, ne rince pas ou ne lave pas

### ■ Vérifier ce qui suit :

Le cordon d'alimentation est-il branché dans une prise à 3 alvéoles reliée à la terre?

La prise est-elle alimentée par le courant électrique? Vérifier la source de courant électrique ou appeler un électricien.

Les robinets d'eau chaude et d'eau froide sont-ils ouverts?

Le tuyau d'arrivée d'eau est-il déformé?

Les tamis de la valve d'arrivée d'eau sont-ils obstrués?

Couper l'arrivée d'eau et retirer les tuyaux d'arrivée d'eau de la laveuse. Ôter toute pellicule ou particules accumulées. Réinstaller les tuyaux, ouvrir l'arrivée d'eau et vérifier s'il y a des fuites.

## La laveuse s'arrête

### ■ Vérifier ce qui suit :

Le cordon d'alimentation est-il branché dans une prise à 3 alvéoles reliée à la terre?

La prise est-elle alimentée par le courant électrique?

Vérifier la source de courant électrique ou appeler un électricien.

Un fusible est-il grillé ou le disjoncteur s'est-il déclenché?

Remplacer le fusible ou réenclencher le disjoncteur. Si le problème persiste, appeler un électricien.

Utilisez-vous un câble de rallonge?

Ne pas utiliser un câble de rallonge.

## La laveuse n'effectue pas de vidange ou d'essorage

### ■ Le tuyau de vidange est-il déformé? Le tuyau de vidange est-il obstrué ou l'extrémité du tuyau de vidange se trouve-t-elle à plus de 96" (2,4 m) au-dessus du plancher?

### ■ La tension est-elle basse?

Vérifier la source de courant électrique ou appeler un électricien. Ne pas utiliser un câble de rallonge.

### ■ La procédure contre la mousse est-elle activée?

Le programme se terminera une fois que l'excès de mousse sera éliminé.

### ■ La charge est-elle équilibrée?

Un seul article ou un article encombrant peut provoquer un déséquilibre. Ajouter des articles ou redistribuer la charge.

## La laveuse fait du bruit ou vibre

### ■ La laveuse est-elle d'aplomb?

La laveuse doit être d'aplomb. Les quatre pieds doivent être installés correctement et les écrous doivent être serrés contre la caisse de la laveuse.

Lorsque l'eau est vidangée de la laveuse, on peut entendre le bruit de la succion de l'air par la pompe. Ceci se produit à la fin de la vidange. Ceci est normal.

### ■ Lavez-vous des articles avec des boutons-pression, boucles ou fermetures à glissière?

Vous pouvez entendre le bruit des articles métalliques touchant le tambour de la laveuse. Ceci est normal.

### ■ La laveuse est-elle installée sur un plancher robuste et solide?

Se référer aux "Instructions d'installation" pour les exigences relatives au plancher. Le bruit et les vibrations peuvent être réduits en plaçant une planche de contreplaqué de 3/4" (19,1 mm) sous la laveuse. Le contreplaqué peut se prolonger en dessous de la laveuse et de la sècheuse pour les maintenir à des hauteurs égales.

## La laveuse fuit

### ■ Vérifier la plomberie du domicile pour voir s'il y a des fuites.

### ■ Les raccordements des tuyaux d'alimentation sont-ils bien serrés?

Pour raccorder les tuyaux d'alimentation, voir la section "Raccordement des tuyaux d'alimentation".

---

## Distributeurs obstrués ou ayant une fuite

---

- **Les produits de lessive se trouvent-ils dans le bon compartiment du distributeur?**  
Verser les quantités appropriées de détergent, d'agent de blanchiment Oxi/sans danger pour les couleurs, d'assouplissant de tissu ou d'agent de blanchiment liquide dans les compartiments adéquats.
- **Le sélecteur de type de détergent est-il en position correcte?**  
Le sélecteur doit se trouver vers la droite pour le détergent liquide et vers la gauche pour le détergent en poudre.

---

## Mauvaises odeurs de la laveuse

---

- **Voir "Nettoyage de la laveuse".**
- **Utilisez-vous un détergent HE?**  
L'utilisation d'un détergent non HE peut provoquer un film résiduel à l'origine d'odeurs.
- **Avez-vous laissé la porte ouverte après utilisation?**  
Cette laveuse dispose d'une fermeture étanche pour éviter les fuites d'eau. Pour éviter la formation d'odeurs, laisser la porte ouverte afin de permettre à la laveuse de sécher entre les utilisations.

---

## Charge trop mouillée

---

- **Avez-vous utilisé le bon programme pour la charge à laver?**  
Choisir un programme avec une vitesse d'essorage plus élevée.
- **Avez-vous lavé un article seul, des articles encombrants ou avez-vous surchargé la laveuse?**  
Le lavage d'un seul article ou d'un article encombrant, ou une charge excessive peuvent provoquer un déséquilibre. Ajouter des articles ou essayer de distribuer uniformément le linge mouillé dans le tambour, et commencer le programme Drain & Spin (vidange et essorage). Si le linge est encore mouillé, retirer la moitié de la charge de la laveuse et essayer de nouveau.

**REMARQUE :** Utilisation de l'option Max Extract™ est recommandée pour les charges lourdes.

---

## Résidus ou charpie sur le linge

---

- **Avez-vous versé le détergent dans le distributeur?**  
Pour des résultats optimaux, ajouter du détergent au compartiment de détergent. Ne pas verser le détergent dans le tambour de la laveuse.
- **Avez-vous effectué le tri correctement?**  
Trier les articles causant la charpie (serviettes, chenille) des articles qui retiennent la charpie (velours côtelé, synthétiques). Trier également en fonction des couleurs.
- **Avez-vous surchargé la laveuse?**  
Ne pas surcharger la laveuse. La laveuse peut être bien remplie mais le linge ne doit pas être tassé. La charge de lavage doit être équilibrée. De la charpie peut être coincée dans la charge s'il y a surcharge.
- **Vérifier ce qui suit :**  
Avez-vous laissé du papier ou des mouchoirs en papier dans les poches?

- **Avez-vous utilisé suffisamment de détergent HE?**  
Utiliser suffisamment de détergent pour enlever la charpie et la maintenir en suspension. Utiliser uniquement un détergent HE. Suivre les instructions du fabricant afin de déterminer la quantité de détergent à utiliser.
- **La température de l'eau est-elle inférieure à 60°F (15,6°C)?**  
Une eau de lavage dont la température est inférieure à 60°F (15,6°C) peut ne pas dissoudre complètement le détergent.
- **Utilisez-vous un programme de lavage à basse vitesse?**  
Les détergents en poudre peuvent ne pas se dissoudre correctement durant un programme à basse vitesse. Pour de meilleurs résultats, utiliser un détergent liquide pour les programmes à vitesse lente tels que Delicate (articles délicats), Wool (lainages) et Handwash (lavage à la main).

---

## Présence de taches sur le linge

---

- **Avez-vous versé le détergent dans le distributeur?**  
Pour des résultats optimaux, verser le détergent dans le compartiment de détergent. Ne pas verser le détergent dans le tambour de la laveuse.
- **Avez-vous utilisé suffisamment de détergent HE?**  
Utiliser suffisamment de détergent pour enlever la saleté et la maintenir en suspension. Utiliser uniquement un détergent HE. Suivre les recommandations du fabricant pour déterminer la quantité de détergent à utiliser.
- **La présence de fer (rouille) dans l'eau est-elle supérieure à la moyenne?**  
Vous aurez peut-être besoin d'installer un filtre à fer.
- **Avez-vous bien trié la charge?**  
Séparer les articles de teinte foncée des articles blancs ou clairs.
- **Avez-vous déchargé la laveuse immédiatement?**  
Pour éviter le transfert de teinture, décharger la laveuse dès qu'elle s'arrête.
- **Avez-vous utilisé une boule distributrice d'assouplissant de tissu?**  
Les boules distributrices ne fonctionnent pas correctement avec cette laveuse. Verser un assouplissant de tissu liquide dans le compartiment d'assouplissant de tissu.
- **Avez-vous utilisé un détergent en poudre pour un programme à vitesse faible?**  
Envisager l'utilisation d'un détergent liquide.
- **Avez-vous utilisé le programme Quick Wash (lavage rapide) pour une grande charge?**  
Pour des résultats optimaux, utiliser le programme Quick Wash (lavage rapide) pour les petites charges de linge légèrement sale.

---

## Linge froissé

---

- **Avez-vous déchargé la laveuse immédiatement?**  
Décharger la laveuse dès qu'elle s'arrête.
- **Avez-vous utilisé le bon programme pour la charge à laver?**  
Utiliser le programme Delicate (articles délicats) ou un autre programme avec basse vitesse d'essorage pour réduire le froissement.
- **Avez-vous surchargé la laveuse?**  
La charge de lavage doit être équilibrée et pas surchargée. Les charges doivent pouvoir se déplacer librement durant le lavage.

---

## Blanc grisâtre, couleurs défraîchies

---

- **Avez-vous bien trié la charge?**  
Le transfert de teinture peut se produire lors du mélange d'articles blancs et de couleur dans une même charge. Séparer les articles de teinte foncée des articles blancs ou clairs.
- **La température de lavage était-elle trop basse?**  
Utiliser les lavages à l'eau tiède ou chaude si celle-ci est sans danger pour la charge. S'assurer que le système d'eau chaude est adéquat pour fournir un lavage à l'eau chaude.
- **Avez-vous utilisé suffisamment de détergent, ou avez-vous une eau dure?**  
Utiliser plus de détergent pour laver la saleté intense à l'eau froide ou dure.

---

## Programme trop long

---

- **Avez-vous sélectionné le programme Whitest Whites (blancs les plus blancs)?**  
Le chauffe-eau sera activé pour fournir le rendement de nettoyage maximal. La durée du programme normal sera prolongée pour chauffer l'eau. Cette durée supplémentaire dépendra du volume de la charge et de la température de l'eau à son entrée dans la laveuse.
- **Le mot "SUD" est-il affiché?**  
Un excès de mousse a été détecté et une procédure contre la mousse a commencé. Cette procédure prolongera la durée initiale du programme.
- **Avez-vous lavé une grande charge avec le programme Quick Wash (lavage rapide)?**  
Le programme Quick Wash (lavage rapide) est conçu pour les plus petites charges (2-3 articles de vêtements légèrement sales). Si des charges plus grandes sont lavées avec ce programme, la durée de lavage augmentera.
- **Avez-vous lavé une grande charge en utilisant un programme délicat?**  
Avec les programmes Delicate (articles délicats), Handwash (lavage à la main), et Wool (lainages), vous devez utiliser des petites charges. Ceci assure un lavage délicat de vos vêtements sans augmenter les durées de programme.
- **La charge a-t-elle causé un déséquilibre?**  
Lorsqu'il y a un trop grand déséquilibre, une procédure de rééquilibrage se met en marche pour redistribuer la charge. Durant la procédure de rééquilibrage, l'affichage de la durée se mettra en pause jusqu'à ce que cette activité soit terminée, puis se réactivera pour le reste du programme.

---

## Porte verrouillée à la fin du programme de lavage

---

- **Toute l'eau s'est-elle écoulee de la laveuse durant l'essorage?**  
Sélectionner DRAIN & SPIN (vidange et essorage) pour enlever toute eau restée dans la laveuse. La porte de la laveuse se déverrouillera à la fin de la vidange.

---

# ASSISTANCE OU SERVICE

Avant de faire un appel pour assistance ou service, veuillez vérifier la section "Dépannage". Cette vérification peut vous faire économiser le coût d'une visite de service. Si vous avez encore besoin d'aide, suivez les instructions ci-dessous.

Lors d'un appel, veuillez connaître la date d'achat et les numéros de modèle et de série complets de votre appareil. Ces renseignements nous aideront à mieux répondre à votre demande.

## Si vous avez besoin de pièces de rechange

Si vous avez besoin de commander des pièces de rechange, nous vous recommandons d'utiliser exclusivement des pièces spécifiées par l'usine. Ces pièces conviendront et fonctionneront bien parce qu'elles sont fabriquées selon les mêmes spécifications précises utilisées pour fabriquer chaque nouvel appareil Maytag®.

Pour localiser des pièces de rechange spécifiées par l'usine dans votre région, composer le numéro de téléphone du Centre d'assistance à la clientèle de Maytag Services, LLC ou appeler le centre de service désigné par Maytag le plus proche.

---

## Aux États-Unis

Téléphoner sans frais au Centre d'assistance à la clientèle de Maytag Services, LLC au : **1-800-688-9900**.

### Nos consultants fournissent de l'assistance pour :

- Caractéristiques et spécifications de notre gamme complète d'appareils ménagers
- Renseignements d'installation
- Consignes d'utilisation et d'entretien
- Vente d'accessoires et de pièces de rechange
- Assistance spécialisée au client (langue espagnole, malentendants, malvoyants, etc.)
- Les références aux concessionnaires, compagnies de service de réparation et distributeurs de pièces de rechange locaux. Les techniciens de service désignés par Maytag® sont formés pour remplir la garantie des produits et fournir un service après garantie partout aux États-Unis.

Pour localiser la compagnie de service désignée par Maytag® dans votre région, vous pouvez également consulter les Pages jaunes.

### Pour plus d'assistance

Si vous avez besoin de plus d'assistance, vous pouvez écrire à Maytag® en soumettant toute question ou problème à :

Maytag Services, LLC  
ATTN: CAIR® Center  
P.O. Box 2370  
Cleveland, TN 37320-2370

Dans votre correspondance, veuillez indiquer un numéro de téléphone où l'on peut vous joindre dans la journée.

## Au Canada

Veillez appeler sans frais le Centre pour l'eXpérience de la clientèle clientèle de Whirlpool Canada LP au : **1-800-807-6777**.

### Nos consultants vous renseigneront sur les sujets suivants :

- Caractéristiques et spécifications sur toute notre gamme d'appareils électroménagers.
- Consignes d'utilisation et d'entretien.
- Ventes d'accessoires et pièces de rechange.

- Références aux marchands locaux, aux distributeurs de pièces de rechange et aux compagnies de service. Les techniciens de service désignés par Whirlpool Canada LP sont formés pour remplir la garantie des produits et fournir un service après la garantie, partout au Canada.

### Pour plus d'assistance

Si vous avez besoin de plus d'assistance, vous pouvez soumettre par écrit toute question ou préoccupation à Whirlpool Canada LP à l'adresse suivante :

Centre pour l'eXpérience de la clientèle  
Whirlpool Canada LP  
1901 Minnesota Court  
Mississauga, Ontario L5N 3A7

Veillez inclure dans votre correspondance un numéro de téléphone où on peut vous joindre dans la journée.

# GARANTIE DES APPAREILS DE BUANDERIE MAYTAG®

## GARANTIE LIMITÉE

Pendant un an à compter de la date d'achat, lorsque ce gros appareil ménager est utilisé et entretenu conformément aux instructions jointes à ou fournies avec le produit, la marque Maytag de Whirlpool Corporation ou Whirlpool Canada LP (ci-après désignées "Maytag") paiera pour les pièces spécifiées par l'usine et la main-d'œuvre pour corriger les vices de matériaux ou de fabrication qui existaient déjà lorsque ce gros appareil ménager a été acheté. Le service doit être fourni par une compagnie de service désignée par Maytag. LE SEUL ET EXCLUSIF RECOURS DU CLIENT DANS LE CADRE DE LA PRÉSENTE GARANTIE LIMITÉE CONSISTE EN LA RÉPARATION PRÉVUE CI-DESSUS. Cette garantie limitée est valide uniquement aux États-Unis ou au Canada et s'applique exclusivement lorsque le gros appareil ménager est utilisé dans le pays où il a été acheté. Une preuve de la date d'achat d'origine est exigée pour obtenir un service dans le cadre de la présente garantie limitée.

## ÉLÉMENTS EXCLUS DE LA GARANTIE

### La présente garantie limitée ne couvre pas :

1. Les pièces de rechange ou la main d'œuvre lorsque ce gros appareil ménager est utilisé à des fins autres que l'usage unifamilial normal ou lorsque les instructions d'installation et/ou les instructions de l'opérateur ou de l'utilisateur fournies ne sont pas respectées.
2. Les visites de service pour rectifier l'installation du gros appareil ménager, montrer à l'utilisateur comment utiliser l'appareil, remplacer ou réparer des fusibles ou rectifier le câblage ou la plomberie du domicile.
3. Les visites de service pour réparer ou remplacer les ampoules électriques, les filtres à air ou les filtres à eau de l'appareil. Les pièces consommables ne sont pas couvertes par la garantie.
4. Les dommages imputables à : accident, modification, usage impropre ou abusif, incendie, inondation, actes de Dieu, installation fautive ou installation non conforme aux codes d'électricité ou de plomberie, ou l'utilisation de produits non approuvés par Maytag.
5. Les défauts apparents, notamment les éraflures, les bosses, fissures ou tout autre dommage au fini du gros appareil ménager, à moins que ces dommages soient dus à des vices de matériaux ou de fabrication et soient signalés à Maytag dans les 30 jours suivant la date d'achat.
6. L'enlèvement et la livraison. Ce gros appareil ménager est conçu pour être réparé à domicile.
7. Les réparations aux pièces ou systèmes résultant d'une modification non autorisée faite à l'appareil.
8. Les frais de déplacement et de transport pour le service d'un produit si votre gros appareil ménager est situé dans une région éloignée où un service d'entretien Maytag autorisé n'est pas disponible.
9. La dépose et la réinstallation de votre gros appareil ménager si celui-ci est installé dans un endroit inaccessible ou n'est pas installé conformément aux instructions d'installation fournies par Maytag.
10. Les pièces de rechange ou la main d'œuvre pour les gros appareils ménagers dont les numéros de série et de modèle originaux ont été enlevés, modifiés ou qui ne peuvent pas être facilement identifiés.

## CLAUSE D'EXONÉRATION DE RESPONSABILITÉ AU TITRE DES GARANTIES IMPLICITES

LES GARANTIES IMPLICITES, Y COMPRIS LES GARANTIES APPLICABLES DE QUALITÉ MARCHANDE OU D'APTITUDE À UN USAGE PARTICULIER, SONT LIMITÉES À UN AN OU À LA PLUS COURTE PÉRIODE AUTORISÉE PAR LA LOI. Certains États et certaines provinces ne permettent pas de limitation sur la durée de garanties implicites de qualité marchande ou d'aptitude à un usage particulier, de sorte que la limitation ci-dessus peut ne pas être applicable dans votre cas. Cette garantie vous confère des droits juridiques spécifiques, et vous pouvez également jouir d'autres droits qui peuvent varier d'une juridiction à l'autre.

---

### LIMITATION DES RECOURS, EXCLUSION DES DOMMAGES FORTUITS OU INDIRECTS

LE SEUL ET EXCLUSIF RECOURS DU CLIENT DANS LE CADRE DE LA PRÉSENTE GARANTIE LIMITÉE CONSISTE EN LA RÉPARATION PRÉVUE CI-DESSUS. MAYTAG N'ASSUME AUCUNE RESPONSABILITÉ POUR LES DOMMAGES FORTUITS OU INDIRECTS. Certains États et certaines provinces ne permettent pas l'exclusion ou la limitation des dommages fortuits ou indirects de sorte que ces limitations et exclusions peuvent ne pas être applicables dans votre cas. Cette garantie vous confère des droits juridiques spécifiques, et vous pouvez également jouir d'autres droits qui peuvent varier d'une juridiction à l'autre.

---

Si vous résidez à l'extérieur du Canada et des 50 États des États-Unis, contactez votre marchand Maytag autorisé pour déterminer si une autre garantie s'applique.

Si vous avez besoin d'un service de réparation, voir d'abord la section "Dépannage" du Guide d'utilisation et d'entretien. Si vous n'êtes pas en mesure de résoudre le problème après avoir consulté la section "Dépannage", vous pouvez trouver de l'aide supplémentaire en consultant la section "Assistance ou Service" ou en appelant Maytag. Aux É.-U., composer le **1-800-688-9900**. Au Canada, composer le **1-800-807-6777**.

6/08

**Conservez ce manuel et votre reçu de vente ensemble pour référence ultérieure. Pour le service sous garantie, vous devez présenter un document prouvant la date d'achat ou d'installation.**

Inscrivez les renseignements suivants au sujet de votre gros appareil ménager pour mieux vous aider à obtenir assistance ou service en cas de besoin. Vous devrez connaître le numéro de modèle et le numéro de série au complet. Vous trouverez ces renseignements sur la plaque signalétique située sur le produit.

Nom du marchand \_\_\_\_\_

Adresse \_\_\_\_\_

Numéro de téléphone \_\_\_\_\_

Numéro de modèle \_\_\_\_\_

Numéro de série \_\_\_\_\_

Date d'achat \_\_\_\_\_